

# Manual Air Vent

## Coin Operated • 250 WOG

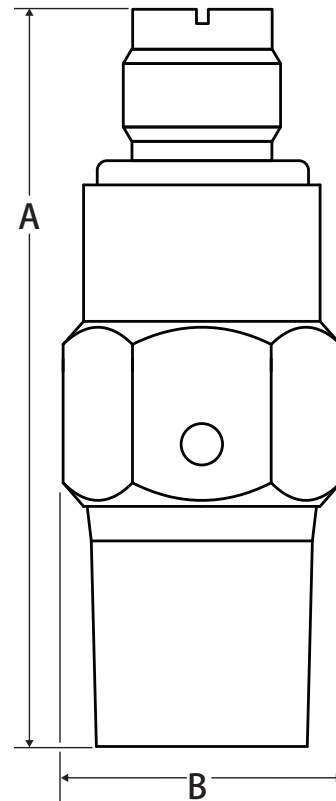


### Features

- 100% leak tested

### Pressure and Temperature Rating

- 250 WOG
- 250°F Max



### Material Specifications

Part	Material
Body	Brass - C36000
Plug Screw	Brass - C36000

### Dimensions

Part #	Size	A	B
TV-A2	1/4" MNPT	1.63	0.58
TVX-A2-N	1/4" MNPT	2.75	0.58



**WARNING:** This product can expose you to chemicals including lead, which is known to the State of California to cause cancer, birth defects or other reproductive harm. For more information go to [www.P65Warnings.ca.gov](http://www.P65Warnings.ca.gov).