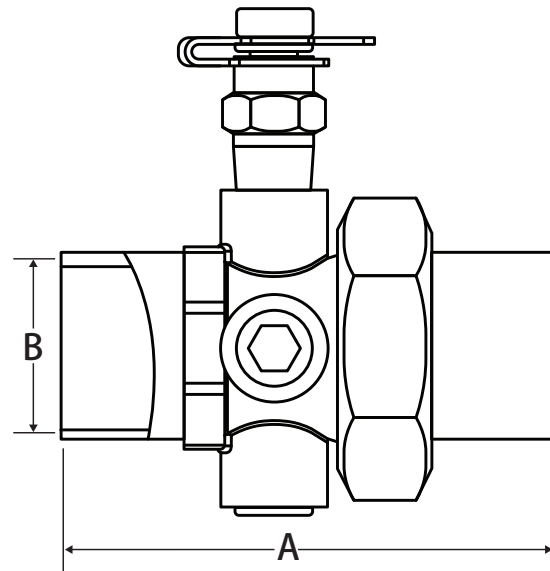


# Hydronic Union

600 WOG



TU



DIRECTION OF FLOW

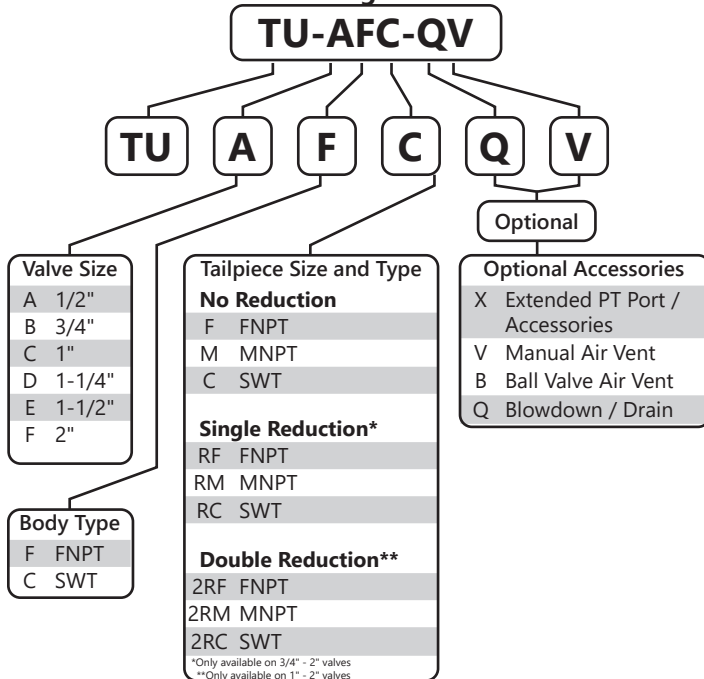
### Features

- Pressure / temperature (PT) test ports
- Additional accessory taps
- 100% leak tested

### Pressure and Temperature Rating

- 600 WOG
- 325°F Max

### Smart Part Number Ordering Guide



### Material Specifications

Part	Material
Body	Brass - CW617N
O-ring	EPDM
Tail Piece	Brass - CW617N
Union Nut	Brass - CW617N

### Dimensions

Size	A	B
1/2"	2.30	0.63
3/4"	3.10	0.88
1"	3.28	1.13
1-1/4"	3.99	1.38
1-1/2"	3.86	1.63
2"	4.65	2.13

Note: Dimensions for a SWT x SWT valve, additional dimensions available upon request

**WARNING:** This product can expose you to chemicals including lead, which is known to the State of California to cause cancer, birth defects or other reproductive harm. For more information go to [www.P65Warnings.ca.gov](http://www.P65Warnings.ca.gov).