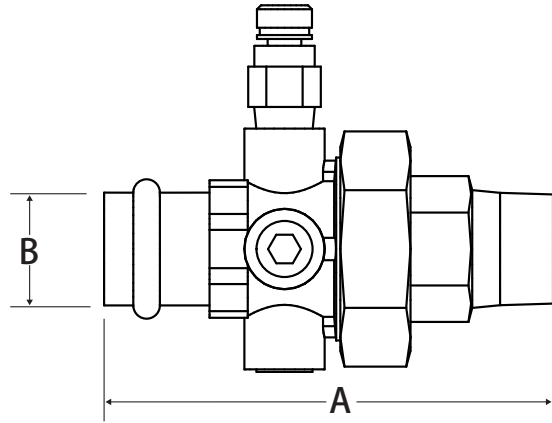


# Hydronic Union with Press Connection

250 WOG



TU Press



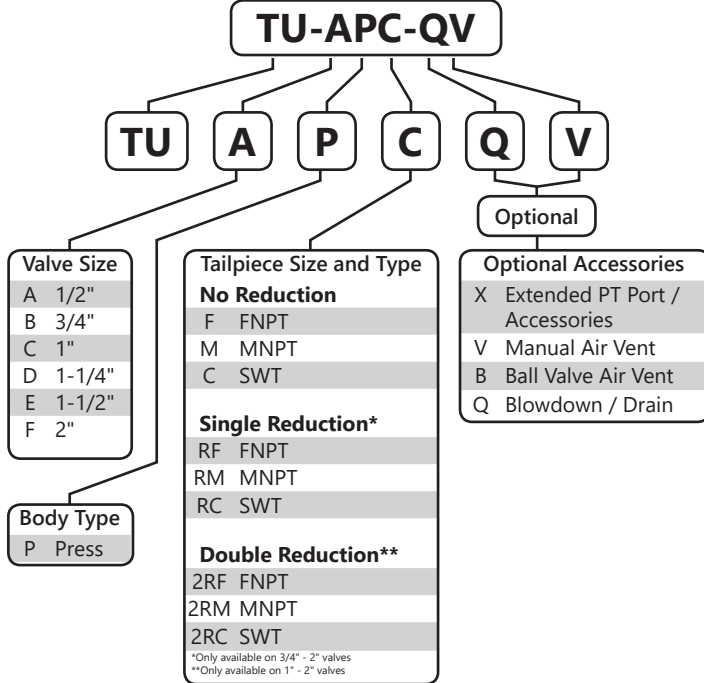
**Features**

- Pressure/temperature test ports
- Accessory taps

**Pressure and Temperature Rating**

- 250 WOG
- 250°F Max

**Smart Part Number Ordering Guide**



**Material Specifications**

| Part       | Material       |
|------------|----------------|
| Body       | Brass - CW617N |
| O-ring     | EPDM           |
| Tail Piece | Brass - CW617N |
| Union Nut  | Brass - CW617N |

**Dimensions**

| Size   | A*   | B    |
|--------|------|------|
| 1/2"   | 3.16 | 0.63 |
| 3/4"   | 3.44 | 0.88 |
| 1"     | -**  | 1.13 |
| 1-1/4" | -**  | 1.38 |
| 1-1/2" | -**  | 1.63 |
| 2"     | -**  | 2.13 |

\*Length is for a Press x MNPT valve, additional dimensions available upon request  
 \*\*1"-2" is FNPT Body with MNPT x Press Adapter



**WARNING:** This product can expose you to chemicals including lead, which is known to the State of California to cause cancer, birth defects or other reproductive harm. For more information go to [www.P65Warnings.ca.gov](http://www.P65Warnings.ca.gov).