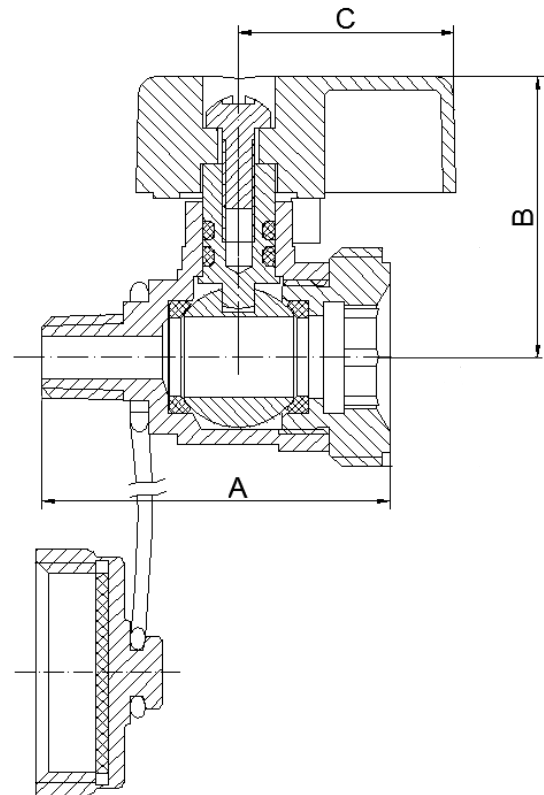


Drain and Blowdown Valve

Isolation Ball Valve • 600 WOG



Picture shown is TQ-B1



Features

- 3/4" garden hose drain connection
- Includes drain cap and retainer
- 100% leak tested

Pressure and Temperature Rating

- 600 WOG
- 300°F Max



WARNING: This product can expose you to chemicals including lead, which is known to the State of California to cause cancer, birth defects or other reproductive harm. For more information go to www.P65Warnings.ca.gov.

Material Specifications

Part	Material
Body	Brass - CW617N
Retaining Ring	Brass - CW617N
Ball	Chrome Plated Brass - C3604DB
Seat (2)	PTFE
Stem	Brass - CW617N
Stem Sealing	EPDM
Handle	Painted Aluminum
Screw	Steel - Nickel Plated
Cap	Brass - CW617N
Retaining Strap	Plastic
Washer Ring	EPDM

Dimensions

Part #	Inlet	Outlet	A	B	C
TQ-B1	1/4" MNPT	3/4" GH	1.76	1.37	1.06
TQ-B3-N	1/2" MNPT	3/4" GH	1.81	1.36	0.88
TQ-B4	3/4" MNPT	3/4" GH	3.28	1.70	4.39