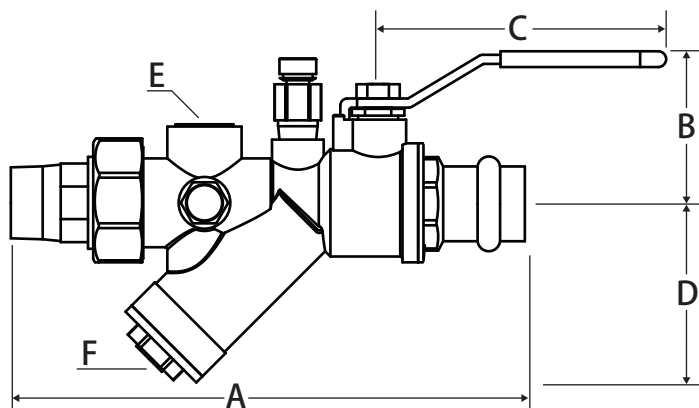


# Automatic Balancing Valve

Automatic Flow Limiter • Isolation Ball Valve • Union • Press Body Connection • 250 WOG



TA Press



**DIRECTION OF FLOW** →

## Features

- 2-60 PSID operating range
- +/- 5% Accuracy
- Two pressure / temperature (PT) test ports
- Location tag
- Two additional accessory tap
- Triple sealing stem with 2 Viton® o-rings and Teflon® seal
- Blow out proof stem
- 100% leak tested
- See end of catalog for GPM ordering guide

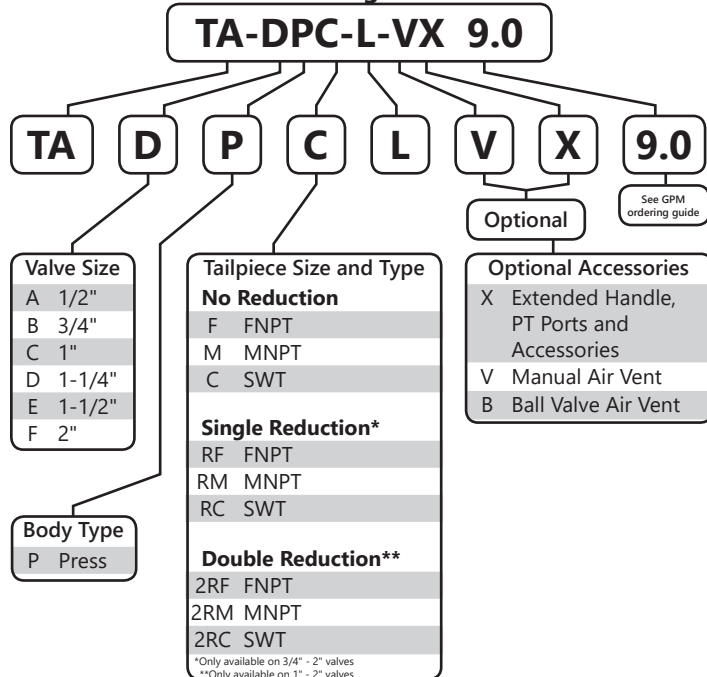
## Pressure and Temperature Rating

- 250 WOG
- 325°F Max

## Material Specifications

Part	Material
Body	Brass -CW617N
End Connection	Brass -CW617N
Press O-ring	EPDM
Ball	Chrome Plated Brass -CW617N
Seat (2)	PTFE
Stem	Brass -CW617N
Packing	PTFE
Stem O-ring (2)	Viton®
Packing Gland	Brass -CW614N
Handle	Steel - Zinc Plated
Handle Nut	Brass -CW614N
Service Cap	Brass -CW614N
Service Cap O-ring	Viton®
Union Gasket	EPDM
Tailpiece	Brass -CW617N
Union Nut	Brass -CW617N
Balancing Cartridge	Brass, Stainless steel, EPDM
Cartridge Retaining Spring	Stainless Steel

## Smart Part Number Ordering Guide



## Dimensions

Size	A*	B	C	D	E	F
1/2"	5.92	1.70	3.40	1.60	0.50	0.25
3/4"	6.94	1.80	3.40	2.40	0.50	0.25
1"	-**	1.80	3.40	2.40	0.50	0.25
1-1/4"	-**	2.50	4.40	3.50	0.75	0.25
1-1/2"	-**	2.50	4.40	3.50	0.75	0.25
2"	-**	3.50	5.50	4.50	0.75	0.50

\*Length is for a Press x MNPT valve, additional dimensions available upon request  
 \*\*1" - 2" is FNPT body with MNPT x Press adapter

**WARNING:** This product can expose you to chemicals including lead, which is known to the State of California to cause cancer, birth defects or other reproductive harm. For more information go to [www.P65Warnings.ca.gov](http://www.P65Warnings.ca.gov).

