

Brass Mini Ball Valve

2 Piece • Full Port • Threaded Connection • Mini Valves • 600 WOG

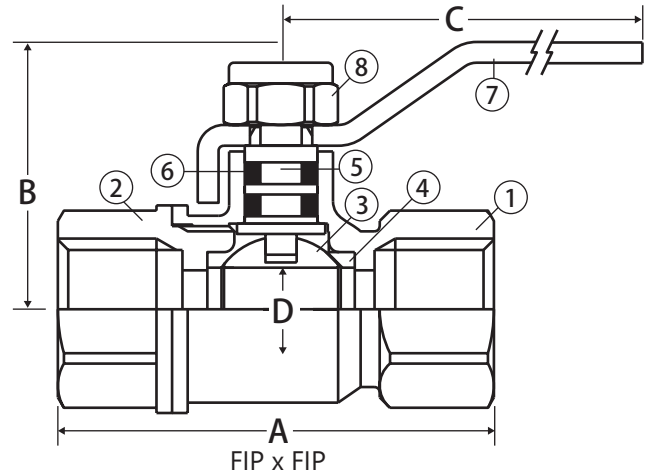
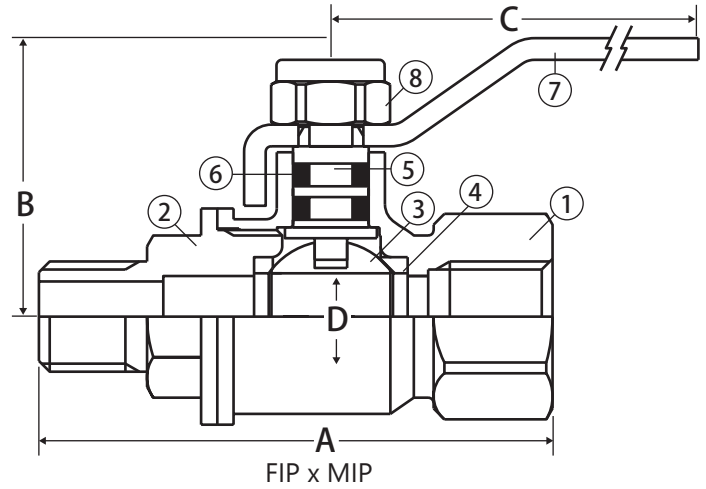
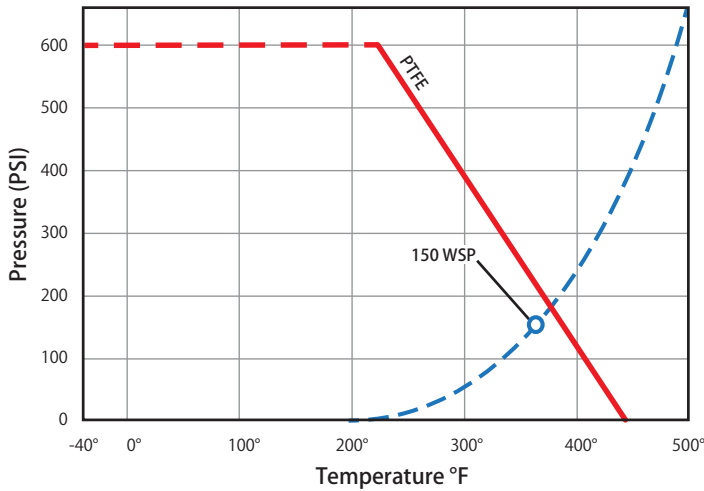


T-83C

Features

- Large raised wrench flats
- 2 Buna-N o-rings
- 100% leak tested

Valve Seat Rating 600 WOG - 150 WSP



Material Specifications

No.	Part	Materials
1	Body	Brass - C37700
2	End Connection	Brass - C37700
3	Ball	Chrome Plated Brass - C37700
4	Seat (2)	PTFE
5	Stem	Brass - C37700
6	Stem O-ring (2)	Buna-N
7	Handle*	Steel - Chrome Plated or Aluminum
8	Handle Nut / Screw*	Steel - Chrome Plated

*Material depends on handle selection

Dimensions

Part No.	Size	A	B	C	D
H100-398	1/4" FIP x 1/8" MIP	1.93	1.07	1.77	0.28
H100-399	1/4" FIP x 1/4" MIP	2.01	1.07	1.77	0.28
H100-400	1/4" FIP x 1/4" FIP	1.65	1.07	1.77	0.28

WARNING: This product can expose you to chemicals including lead, which is known to the State of California to cause cancer, birth defects or other reproductive harm. For more information go to www.P65Warnings.ca.gov.