

# Pressure Independent Control Valve

Pressure Regulating Cartridge • Axial Control Valve • Presetting Ring • 360 WOG

**Patented**

PATENT  
IT1428884  
US9910447



92 Series

### Features

- 3-87 PSID operating range
- +/- 5% accuracy
- Two pressure / temperature (PT) test ports
- Location tag
- ANSI class IV leakage rate
- 100% leak tested
- Control Valve Stroke: 3mm

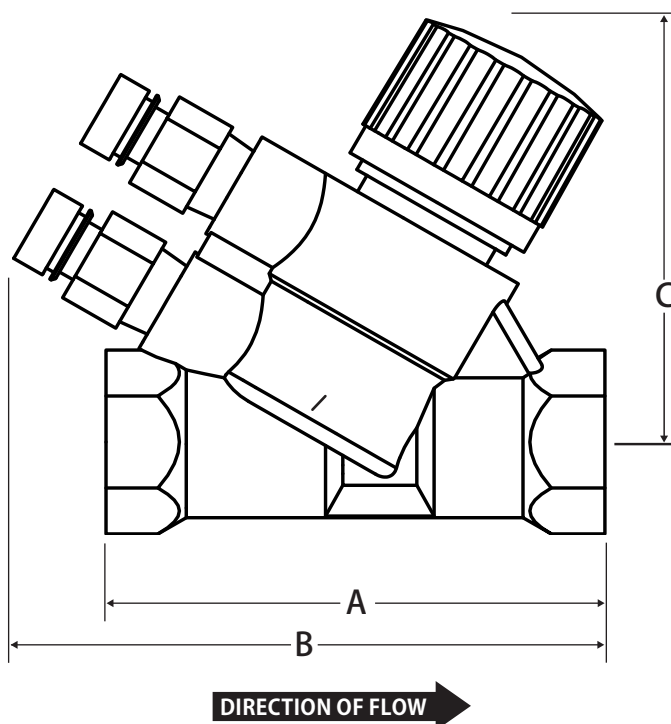
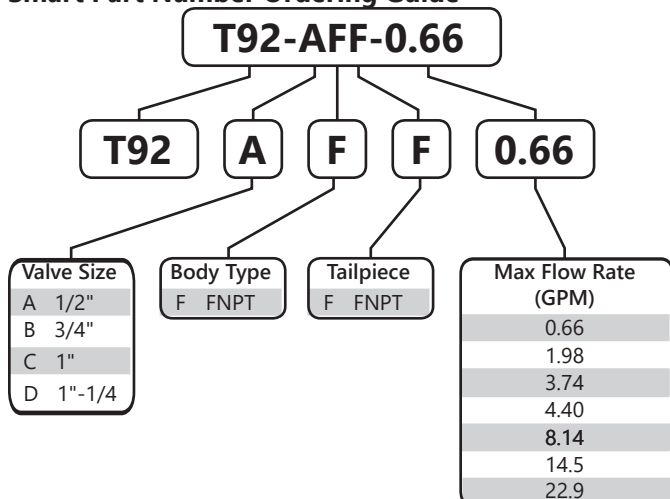
### Pressure and Temperature Rating

- 360 WOG
- 15 - 250°F

### Accepted Actuator Manufacturers

- Spartan PD
- Siemens
- Honeywell
- Johnson Controls
- Neptronics

### Smart Part Number Ordering Guide



### Material Specifications

Part	Material
Body	Brass - CW602N
Regulating Cartridge	High Resistance Polymer, EPDM, 303 Stainless Steel
Control Valve	Brass - CW614N, 18/8 Stainless Steel
O-rings	EPDM

### Dimensions

Size	A	B	C
1/2"	3.17	3.75	2.70
3/4"	3.87	4.57	2.85
1"	7.17	N/A	3.00
1-1/4"	7.64	N/A	4.23



**WARNING:** This product can expose you to chemicals including lead, which is known to the State of California to cause cancer, birth defects or other reproductive harm. For more information go to [www.P65Warnings.ca.gov](http://www.P65Warnings.ca.gov).