

Pressure Independent Control Valve

Pressure Regulating Cartridge • Rotary Control Valve • Manual Shutoff • Double Union • 230 WOG



85 Series

Features

- 5-58 PSID operating range
- +/- 5% accuracy up to 15 PSID
- Two pressure / temperature (PT) test ports
- Location tag
- ANSI class IV leakage rate
- 100% leak tested
- Control Valve Stroke: 90°
- Rangeability: >100

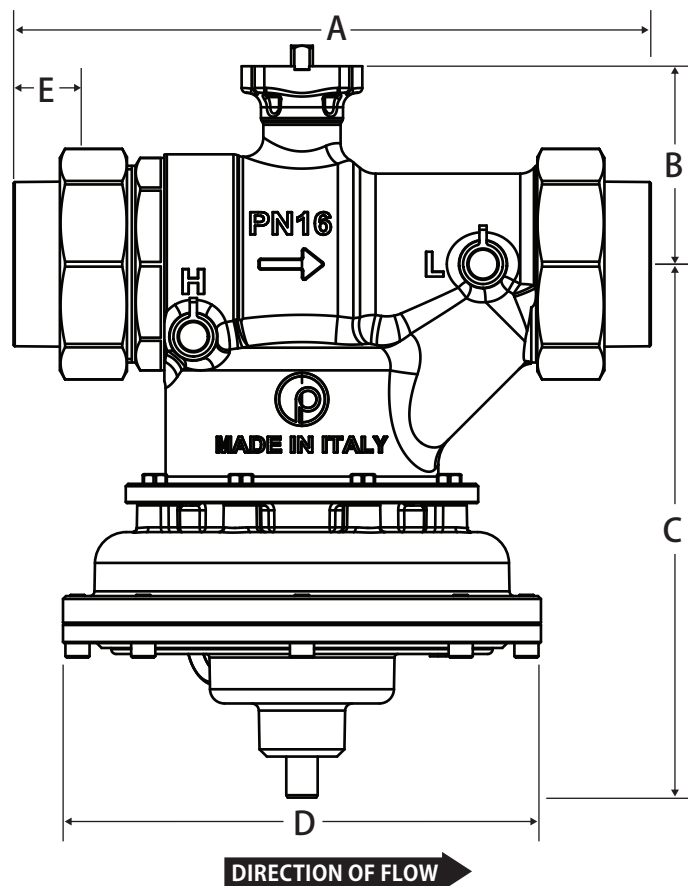
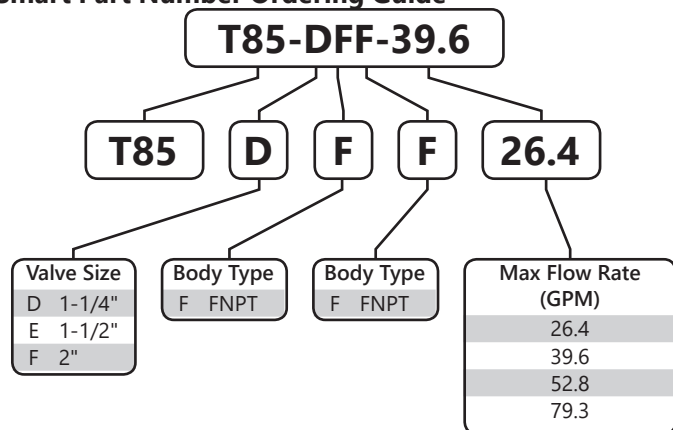
Pressure and Temperature Rating

- 230 WOG
- 15 - 250°F

Accepted Actuator Manufacturers

- Hci
- Johnson Controls

Smart Part Number Ordering Guide



Material Specifications

Part	Material
Body	Ductile Iron
Regulating Device	High Resistance Polymer, EPDM, 303 Stainless Steel
Control Valve	Brass - CW614N, 18/8 Stainless Steel
Stem	Brass - CW602N
O-rings	EPDM
Manual Shut-Off	Brass - CW614N

Dimensions

Size	A	B	C	D	E
1-1/4"	9.14	3.45	6.9	6.24	1.06
1-1/2"	9.14	3.45	6.9	6.24	1.06
2"	10.65	3.73	8.68	7.81	1.27



WARNING: This product can expose you to chemicals including lead, which is known to the State of California to cause cancer, birth defects or other reproductive harm. For more information go to www.P65Warnings.ca.gov.