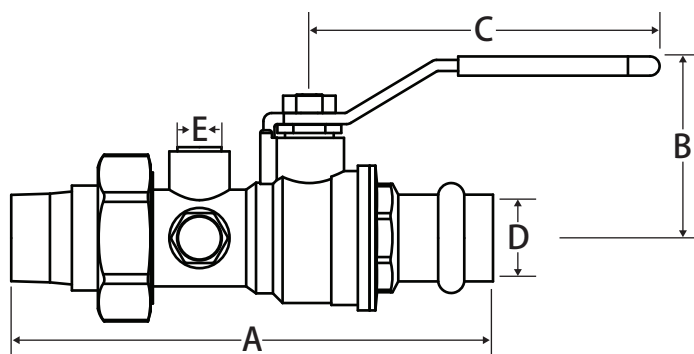


# Combination Ball Valve

Isolation Ball Valve • Union • Press Body Connection • 250 WOG



**DIRECTION OF FLOW**

## NT Press

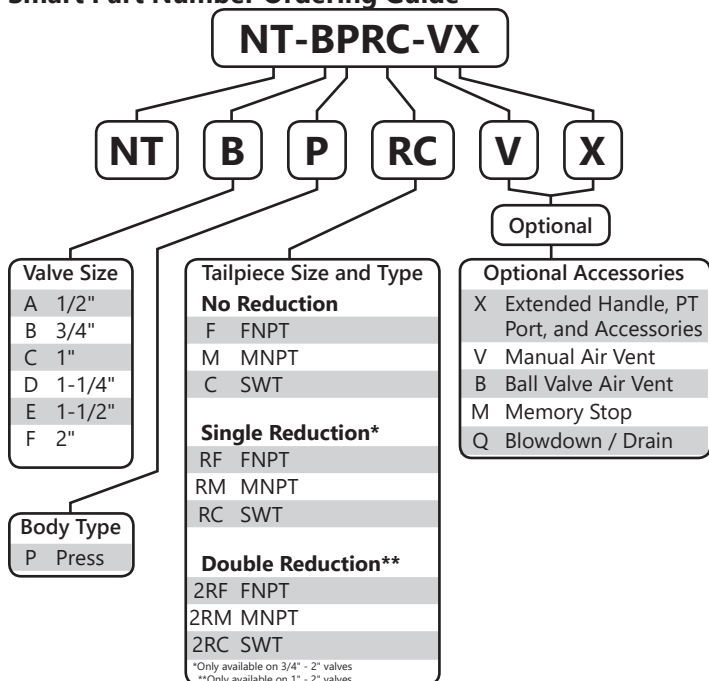
### Features

- Pressure / temperature (PT) test ports
- Additional accessory tap
- Triple sealing stem with 2 Viton® o-rings and Teflon® seal
- Blow out proof stem
- 100% leak tested
- Leakproof stem - Lifetime warranty

### Pressure and Temperature Rating

- 250 WOG
- 300°F Max

### Smart Part Number Ordering Guide



## Material Specifications

Part	Material
Body	Brass - CW617N
End Connection	Brass - CW617N
Press O-ring	EPDM
Ball	Chrome Plated Brass - CW617N
Seat (2)	Virgin PTFE
Stem	Brass - CW614N
Packing	Virgin PTFE
Stem O-ring (2)	Viton®
Packing Gland	Brass - CW614N
Handle	Steel - Geomet® Plated
Handle Nut	Steel - Geomet® Plated
Union O-ring	Viton®
Tail Piece	Brass - CW617N
Union Nut	Brass - CW617N

## Dimensions

Size	A*	B	C	D	E	Cv
1/2"	5.29	1.53	2.95	0.59	0.25	20.25
3/4"	5.38	1.93	3.74	0.79	0.25	41.83
1"	-**	2.40	4.72	1.00	0.25	78.38
1-1/4"	-**	2.59	4.72	1.25	0.37	132.10
1-1/2"	-**	3.22	5.90	1.57	0.37	206.96
2"	-**	3.50	5.90	2.00	0.37	346.00

\*Length is for a Press x FNPT valve, additional dimensions available upon request

\*\*1" - 2" is FNPT body with MNPT x Press adapter



**WARNING:** This product can expose you to chemicals including lead, which is known to the State of California to cause cancer, birth defects or other reproductive harm. For more information go to [www.P65Warnings.ca.gov](http://www.P65Warnings.ca.gov).