

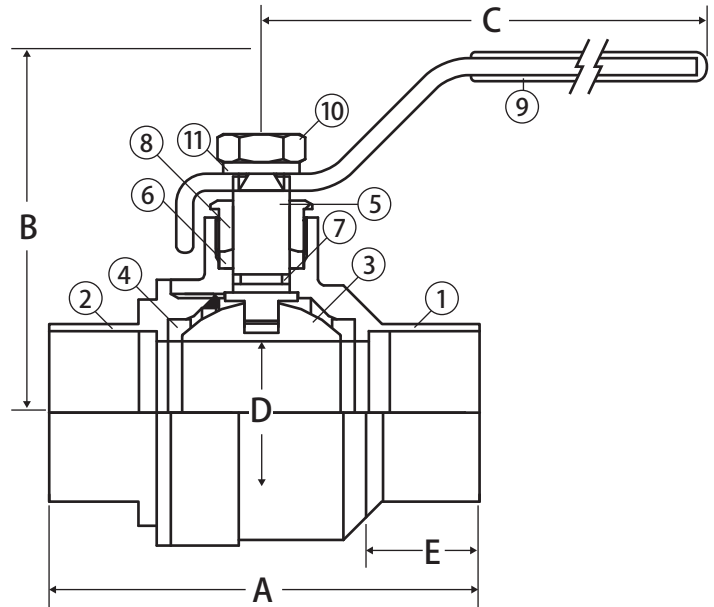
Lead Free Brass Ball Valve

2 Piece • Full Port • Solder Connection • 600 WOG •
Stainless Steel Ball and Stem



JF-100SG

CRN# 0C16654.5



Features

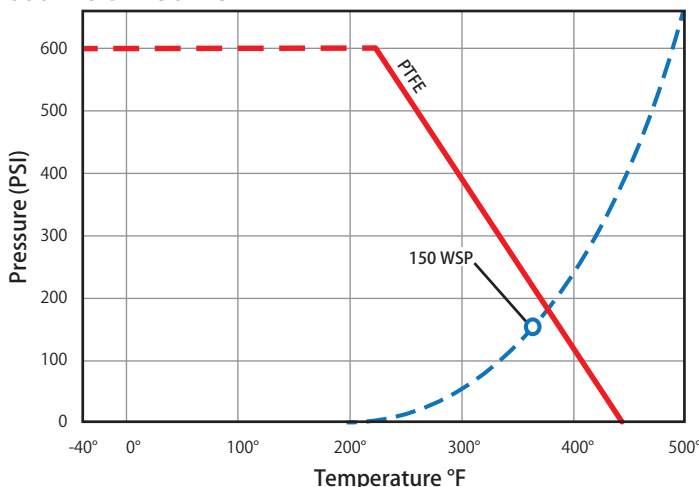
- Dezincification resistant brass
- Gland follower and single o-ring stem design
- Blow-out proof stem
- Stainless steel ball and stem
- 100% leak tested
- Wetted surfaces contain less than .25% lead content

Approvals



- UL Listed up to 175 PSI (1/2" - 2")
 - MHKZ - Manual valves
 - YRPV - Gas shut-off valves
- IAPMO Certified
 - NSF 61-8
 - NSF 372
 - Uniform Plumbing Code (cUPC)
 - IAPMO/ANSI Z1157-2014
 - NSF/ANSI 14-2014
- MSS SP-110
- ASME/ANSI B16.18
- RoHS Compliant

Valve Seat Rating 600 WOG - 150 WSP



Material Specifications

| No. | Part | Materials |
|-----|----------------|--------------------------|
| 1 | Body | Lead Free Brass - C46500 |
| 2 | End Connection | Lead Free Brass - C46500 |
| 3 | Ball | 304 Stainless Steel |
| 4 | Seat (2) | PTFE |
| 5 | Stem | 304 Stainless Steel |
| 6 | Packing | PTFE |
| 7 | Stem O-ring | Buna-N |
| 8 | Packing Gland | Lead Free Brass - C46500 |
| 9 | Handle | Steel - Chrome Plated |
| 10 | Handle Nut | Steel - Chrome Plated |
| 11 | Lock Washer | Steel - Chrome Plated |

Dimensions

| Part No. | Size | A | B | C | D | E |
|------------|--------|------|------|------|------|------|
| 100-113SSG | 1/2" | 2.17 | 1.81 | 3.35 | 0.59 | 0.50 |
| 100-114SSG | 3/4" | 2.80 | 2.36 | 4.29 | 0.75 | 0.75 |
| 100-115SSG | 1" | 3.27 | 2.52 | 4.29 | 0.98 | 0.86 |
| 100-116SSG | 1-1/4" | 4.10 | 2.52 | 5.63 | 1.26 | 1.08 |
| 100-117SSG | 1-1/2" | 4.33 | 2.80 | 5.63 | 1.57 | 0.98 |
| 100-118SSG | 2" | 5.34 | 3.11 | 5.63 | 1.97 | 1.21 |
| 100-119SSG | 2-1/2" | 6.39 | 4.25 | 7.76 | 2.52 | 1.48 |
| 100-120SSG | 3" | 7.10 | 4.92 | 8.37 | 2.95 | 1.66 |
| 100-121SSG | 4" | 9.56 | 5.85 | 9.25 | 3.90 | 2.22 |



WARNING: This product can expose you to chemicals including lead, which is known to the State of California to cause cancer, birth defects or other reproductive harm. For more information go to www.P65Warnings.ca.gov.