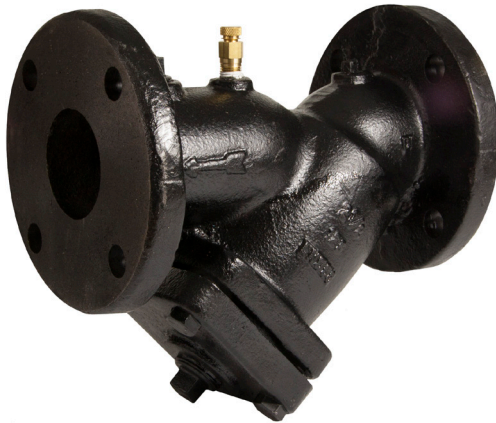


Y-Strainer

Y-Strainer • Flange Connection • Class 125



Terminator Y

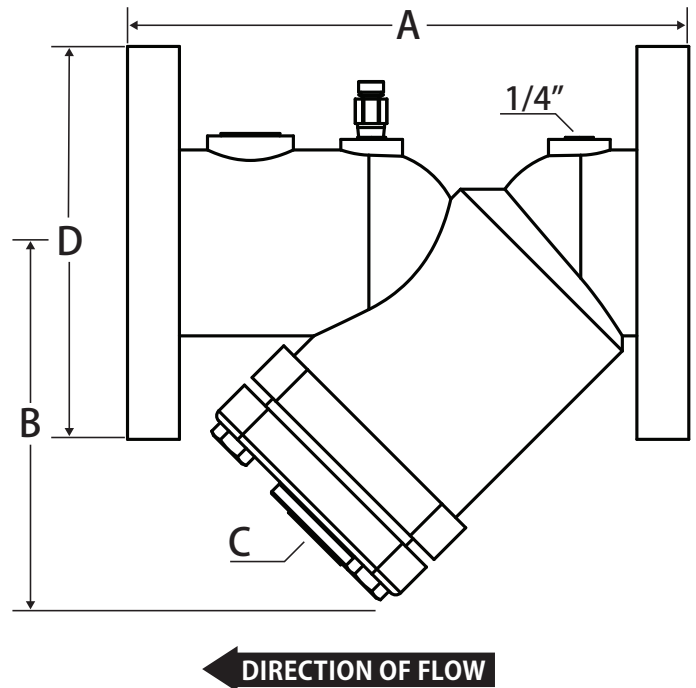
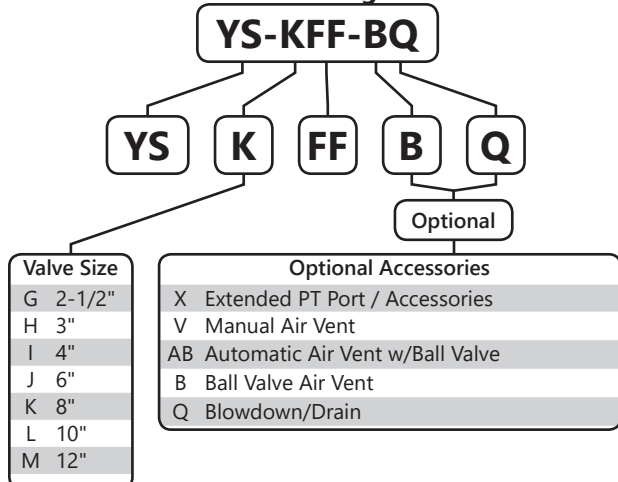
Features

- Three additional accessory taps
- Class 125 Flange
- 100% leak tested
- Standard Screens:
 - 2" - 4": 1/16" perforations
 - 6" - 8": 1/8" perforations
 - 10" - 12": 3/16" perforations

Pressure and Temperature Rating

- 200 WOG
- 150°F Max

Smart Part Number Ordering Guide



Material Specifications

Part	Material
Body	Ductile Iron
Service Cover	Ductile Iron
Bolt (4)	Carbon Steel - A307
Gasket	Non-Asbestos
Strainer	304 Stainless Steel

Dimensions

Size	A	B	C (NPT)	D
2-1/2"	10.00	6.50	1.00	7.00
3"	10.13	7.00	1.00	7.50
4"	12.13	8.25	1.50	9.00
6"	18.50	13.50	2.00	11.00
8"	21.63	15.50	2.00	13.50
10"	26.00	18.50	2.00	16.00
12"	29.88	21.75	2.00	19.00