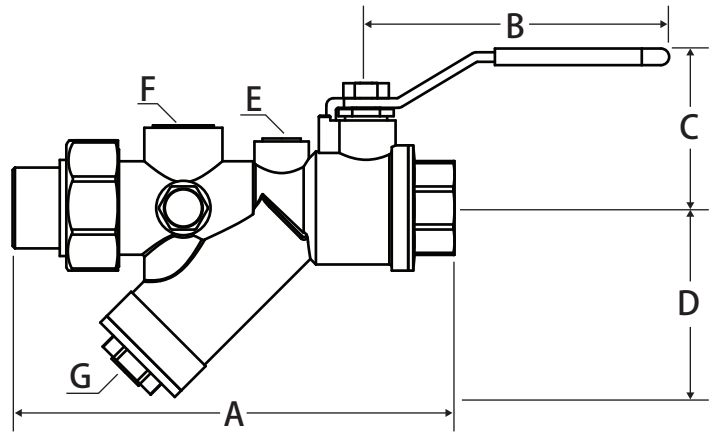


Combination Strainer Valve

Y-Strainer • Isolation Ball Valve • Union • 600 WOG



Terminator Y



DIRECTION OF FLOW

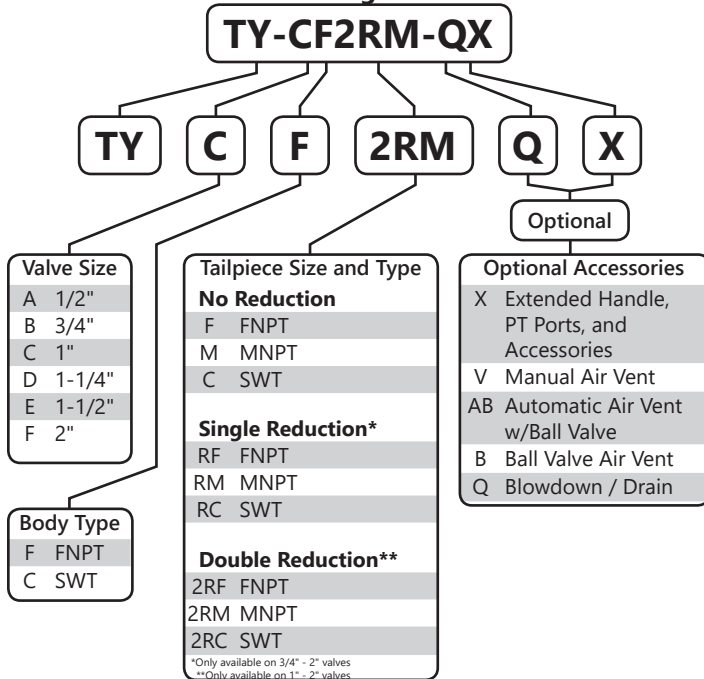
Features

- Three additional accessory tap
- Triple sealing stem with 2 Viton® o-rings and Teflon® seal
- Blow out proof stem
- 100% leak tested

Pressure and Temperature Rating

- 600 WOG
- 325°F Max

Smart Part Number Ordering Guide



Material Specifications

Part	Material
Body	Brass -CW617N
End Connection	Brass -CW617N
Ball	Chrome Plated Brass -CW617N
Seat (2)	PTFE
Stem	Brass -CW617N
Packing	PTFE
Stem O-ring (2)	Viton®
Packing Gland	Brass -CW617N
Handle	Steel - Zinc Plated
Handle Nut	Brass -CW617N
Service Cap	Brass -CW617N
Service Cap O-ring	Viton®
Strainer	304 Stainless Steel
Union Gasket	EPDM
Tail Piece	Brass -CW617N
Union Nut	Brass -CW617N

Dimensions

Size	A*	B	C	D	E	F	G	Cv
1/2"	5.03	3.40	1.70	1.60	0.25	0.50	0.25	5.50
3/4"	5.88	3.40	1.80	2.40	0.25	0.50	0.25	9.00
1"	6.25	3.40	1.80	2.40	0.25	0.50	0.25	9.00
1-1/4"	7.88	4.40	2.50	3.50	0.25	0.75	0.25	28.00
1-1/2"	8.00	4.40	2.50	3.50	0.25	0.75	0.25	28.00
2"	10.31	5.50	3.50	4.50	0.25	0.75	0.50	32.00

*Length is for a SWT x FNPT valve, additional dimensions available upon request