

Manual Air Vent

Coin Operated • 150 WOG

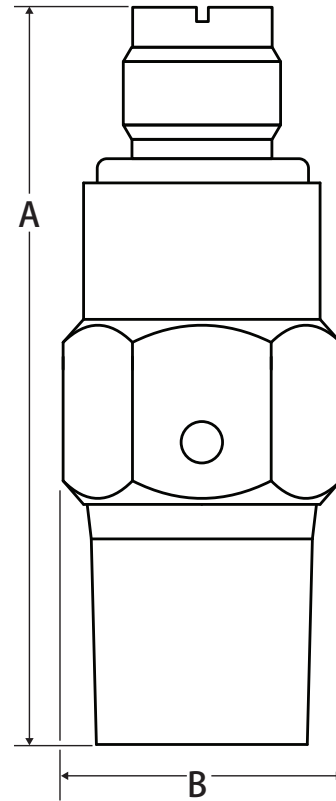


Features

- 100% leak tested

Pressure and Temperature Rating

- 125 WOG
- 250°F Max



Material Specifications

Part	Material
Body	Brass - C36000
Plug Screw	Brass - C36000

Dimensions

Part #	Size	A	B
TV-A2	1/4" MNPT	1.63	0.58
TVX-A2-N	1/4" MNPT	2.75	0.58