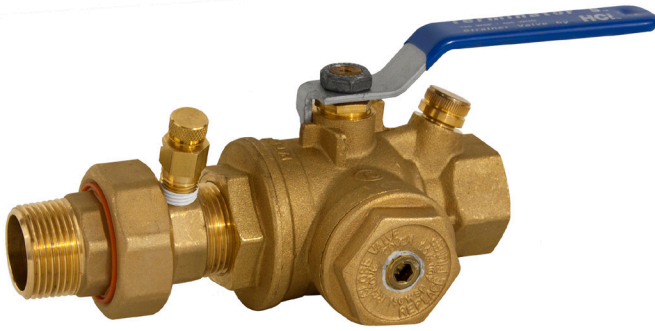
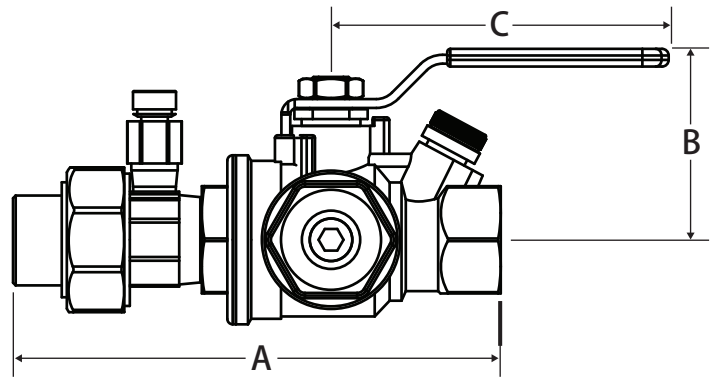


Combination Strainer Valve

Integrated Isolation Ball Valve and Strainer • Union • 400 WOG



Terminator S



← **DIRECTION OF FLOW**

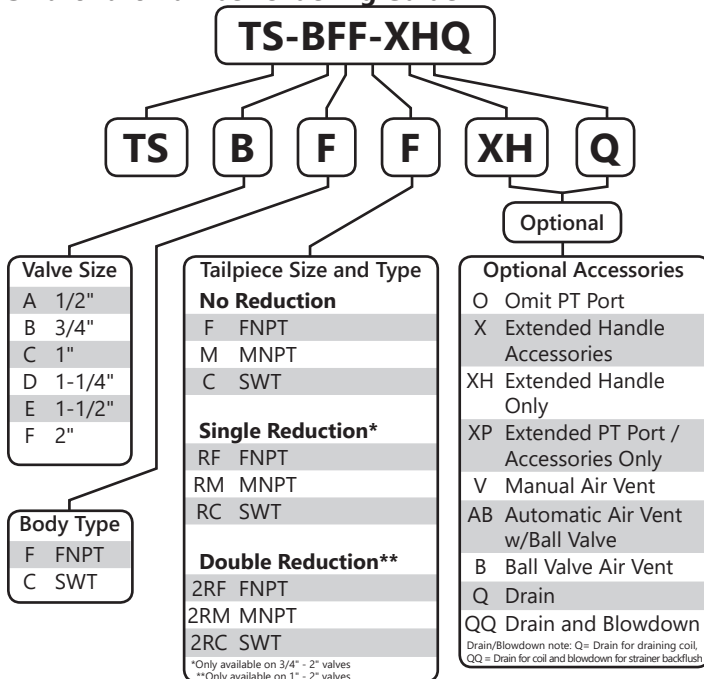
Features

- Integrated backflush
- Pressure / temperature (PT) test ports
- Two additional accessory tap
- Triple sealing stem with 2 Viton® o-rings and Teflon® seal
- Blow out proof stem
- 100% leak tested
- Made in Italy
- Leakproof stem - Lifetime warranty

Pressure and Temperature Rating

- 400 WOG
- 250°F Max

Smart Part Number Ordering Guide



Material Specifications

Part	Material
Body	Brass - CW602N
End Connection	Brass - CW602N
Ball	Chrome Plated Brass - CW602N
Seat (2)	Virgin PTFE
Stem	Brass - CW602N
Packing	Virgin PTFE
Stem O-ring (2)	Viton®
Packing Gland	Brass - CW614N
Handle	Steel - Geomet® Plated
Handle Nut	Steel - Geomet® Plated
Filter Basket	304 Stainless Steel
C-Clip Retainer	304 Stainless Steel
Body Insert	Brass - CW602N
Auxiliary Seat	Virgin PTFE
Cap	Brass - CW602N
O-ring	Viton®
Back Flush Plug	Brass - CW614N
Back Flush O-ring	Viton®
Back Flush Cap	Brass - CW614N
Union	(See Terminator U Spec Sheet)

Dimensions

Size	A*	B	C	Cv
1/2"	5.70	2.40	4.75	13.02
3/4"	5.70	2.40	4.75	13.02
1"	6.50	2.60	4.75	16.28
1-1/4"	7.38	3.23	5.88	24.20
1-1/2"	8.13	3.50	5.88	39.63
2"	9.44	3.15	8.13	74.85

*Length is for a FNPT x FNPT valve, additional dimensions available upon request