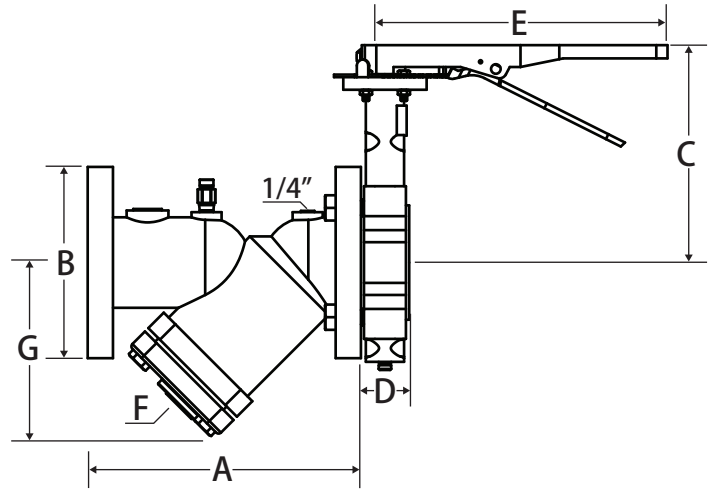


Isolation Y-Strainer

Y-Strainer • Isolation Butterfly Valve • Lug x Flange Connection • Class 125



Terminator S



← DIRECTION OF FLOW

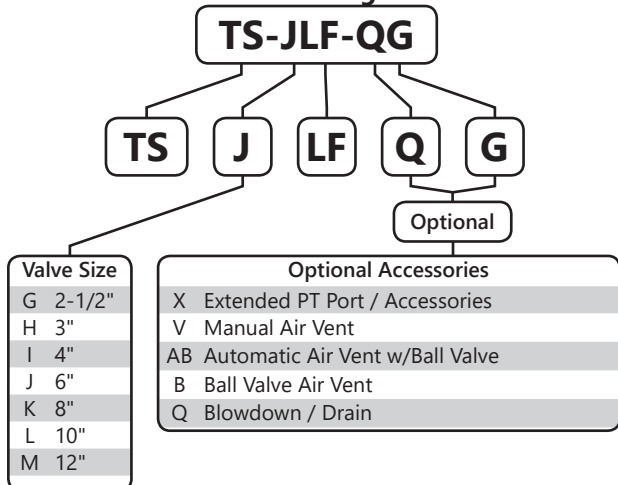
Features

- Pressure / temperature (PT) test port
- Three additional accessory tap
- Ten-position lockable lever handle
- Class 150 Flange
- 100% leak tested
- Standard Screens:
 - 2" - 4": 1/16" perforations
 - 6" - 8": 1/8" perforations
 - 10" - 12": 3/16" perforations

Pressure and Temperature Rating

- 200 WOG
- 150°F Max

Smart Part Number Ordering Guide



Material Specifications

Part	Material
Body	Ductile Iron
Service Cover	Ductile Iron
Bolt (4)	Carbon Steel - A307
Gasket	Non-Asbestos
Strainer	304 Stainless Steel
Butterfly Valve	(See Butterfly Valve Spec Sheet)

Dimensions

Size	A	B	C	D	E	F (NPT)	G
2-1/2"	10.00	7.00	7.60	1.76	10.64	1.00	6.50
3"	10.13	7.50	8.15	1.78	10.64	1.00	7.00
4"	12.13	9.00	8.39	2.05	10.64	1.50	8.25
6"	18.50	11.00	9.13	2.20	10.64	2.00	13.50
8"	21.63	13.50	10.16	2.39	14.18	2.00	15.50
10"	26.00	16.00	11.85	2.58	19.70	2.00	18.50
12"	29.88	19.00	13.11	3.03	19.70	2.00	21.75