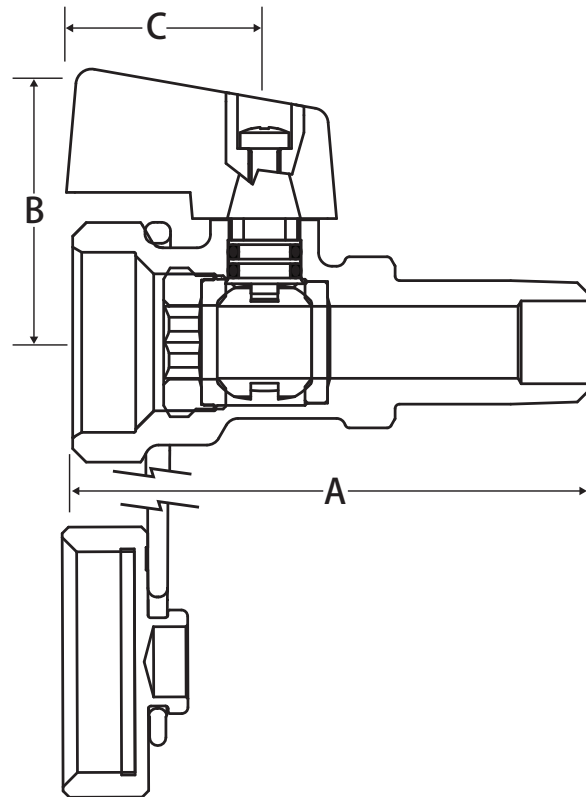
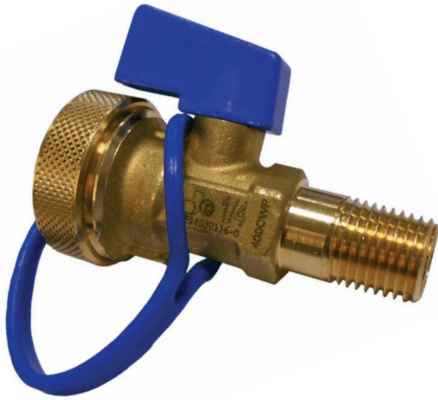


# Drain and Blowdown Valve

## Isolation Ball Valve • 400 WOG



### Features

- 3/4" garden hose drain connection
- Extended to accommodate insulation
- Includes drain cap and retainer
- 100% leak tested

### Pressure and Temperature Rating

- 400 WOG
- 300°F Max

### Material Specifications

Part	Material
Body	Brass - C3771BE
End Connection	Brass - C3771BE
Ball	Chrome Plated Brass - C3604DB
Seat (2)	PTFE
Stem	Brass - C3604DB
Stem O-ring (2)	Viton®
Handle	Steel - Nickel Plated
Screw	Steel - Nickel Plated
Cap	Brass - C3771BE
Flat Washer	Buna-N
Retaining Strap	Plastic

### Dimensions

Part #	Inlet	Outlet	A	B	C
TQ-B1	1/4" MNPT	3/4" GH	2.55	1.22	0.87