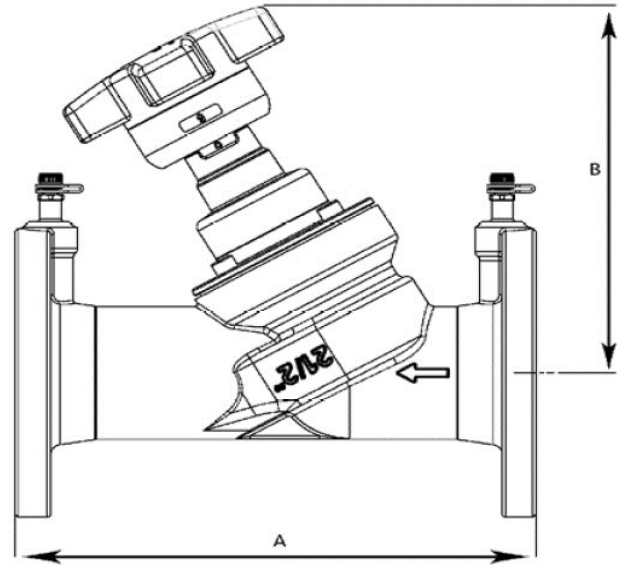


Manual Balancing Valve

Variable Orifice • Globe Valve • Memory Stop • 230 WOG



Terminator GV



Features

- Accurate and precise flow measurement and balancing
- Positive shut-off
- "Y" pattern globe style design
- Multi-turn, 360° handwheel with vernier scale and digital readout
- Built in memory stop
- Offset pressure/temperature ports

Pressure / Temperature Rating

- 230 WOG
- 14°F -248°F

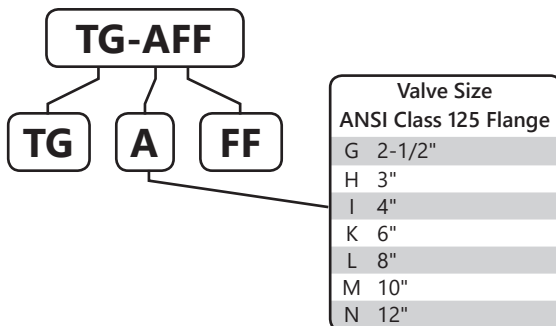
Material Specifications

Part	Material
Body	Cast Iron
End Connections	ANSI 125 Flanged
Gaskets	EPDM
Seat Seal	PTFE
Handwheel	Polyamide Plastic

Dimensions

Part Number	Size	A	B	Minimum Flow	Nominal Flow	Maximum Flow
TGV-GFF	2-1/2"	11.42	8.94	2.13	33-100	318.30
TGV-HFF	3"	12.20	9.5	4.19	100-117	374.50
TGV-IFF	4"	13.78	10.20	6.09	117-200	646.80
TGV-KFF	6"	18.90	12.05	13.70	320-440	1447.00
TGV-LFF	8"	23.60	13.50	30.00	450-750	2415
TGV-MFF	10"	28.70	16.00	47.00	750-1300	4050
TGV-NFF	12"	33.50	19.00	43.00	1300-1600	5115

Smart Part Number Ordering Guide



WARNING: This product can expose you to chemicals including lead, which is known to the State of California to cause cancer, and lead, which is known to the State of California to cause birth defects or other reproductive harm. For more information go to www.P65Warnings.ca.gov.