

Manual Balancing Valve

Fixed Orifice • Globe Valve • Flanged • 230 WOG



Terminator G

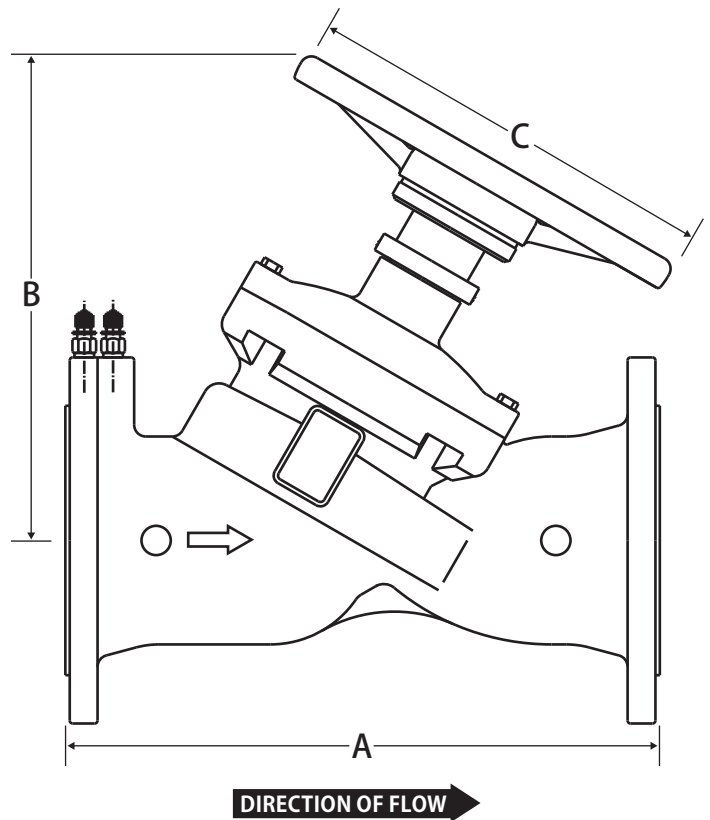
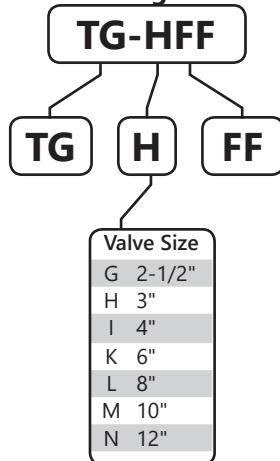
Features

- Integral metering orifice plate
- Memory stop handle setting
- ±5% flow measurement accuracy
- ANSI Class 150
- Pressure and temperature ports
- Face to face: DIN 3202-1/F1
- EN-558-1 Series 1
- Flange: ANSI B16.5
- Conforms to BS 7350
- See end of catalog for pressure drop charts

Temperature Rating

- 15-250°F
- 230 WOG

Smart Part Number Ordering Guide



Material Specifications

Part	Material
Body	Ductile Iron - ASTM A536
Bonnet	Ductile Iron - ASTM A536
Stem	410 Stainless Steel
Disc	EPDM Coated Ductile Iron - ASTM A536
Gland (2-1/2" - 6")	Brass - C37700
(8" - 12")	Ductile Iron - ASTM A536
Stem Nut	Brass - C37700
Hand Wheel	Ductile Iron - ASTM A536
Test Valve	Brass - C35330
Orifice Insert	Brass - C37700
Packing	Graphite

Dimensions

Size	A	B	C	Cv	GPM
2-1/2"	11.42	10.43	7.87	120.22	45 - 210
3"	12.20	10.63	7.87	134.10	50 - 240
4"	13.78	12.20	9.45	246.23	100 - 450
6"	18.90	13.39	11.42	550.26	200 - 1100
8"	23.62	21.14	13.78	887.81	350 - 1500
10"	28.74	22.44	16.54	1332.87	500 - 2500
12"	33.46	27.17	16.54	2014.91	800 - 3500

Pressure Drop Chart

Terminator G (2-1/2" - 12")

CV of Valves

- 2-1/2" : 120.22
- 3" : 134.10
- 4" : 246.23
- 6" : 550.26
- 8" : 887.81
- 10" : 1332.87
- 12" : 2014.91

Metering Signal

