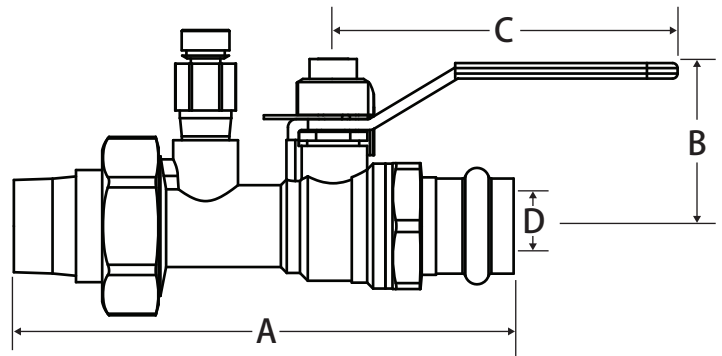


# Manual Balancing Valve

**Fixed Orifice • Isolation Ball Valve • Integrated Memory Stop • Union • Press Body Connection • 250 WOG**



**Terminator B Press**



**DIRECTION OF FLOW** →

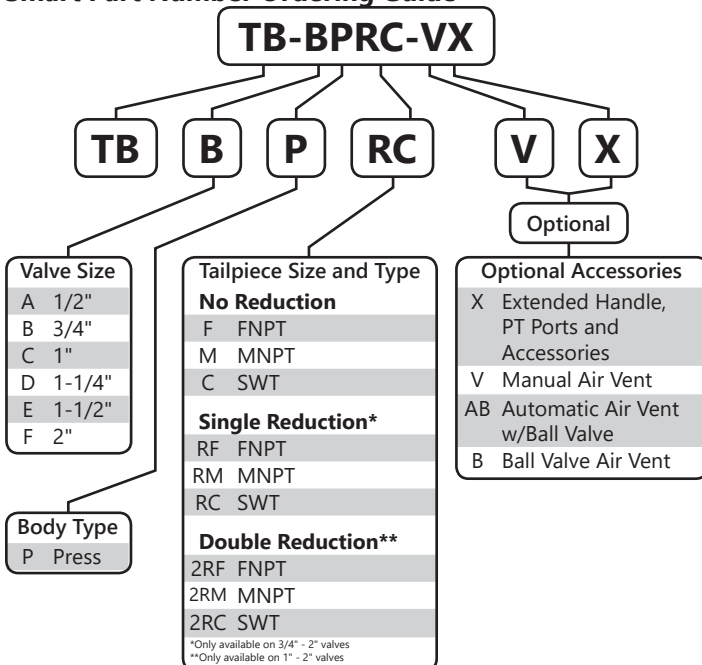
## Features

- Patented removable venturi
- +/- 2% Accuracy
- Two pressure / temperature (PT) test ports
- Location tag
- Additional accessory tap
- Triple sealing stem with 2 Viton® o-rings and Teflon® seal
- Blow out proof stem
- 100% leak tested
- Made in Italy
- Leakproof stem - Lifetime warranty
- See end of catalog for pressure drop charts

## Pressure and Temperature Rating

- 250 WOG
- 300°F Max

## Smart Part Number Ordering Guide



## Material Specifications

Part	Material
Body	Brass - CW617N
End Connection	Brass - CW617N
Press O-ring	EPDM
Ball	Chrome Plated Brass -CW617N
Seat (2)	Virgin PTFE
Stem	Brass - CW614N
Packing	Virgin PTFE
Stem O-ring (2)	Viton®
Packing Gland	Brass - CW614N
Handle	Steel - Geomet® Plated
Handle Nut	Steel - Geomet® Plated
Metering Plate	Aluminum
Memory Stop	Brass - CW617N
Memory Stop Screw	Steel - Geomet® Plated
Union O-ring	Viton®
Tail Piece	Brass - CW617N
Union Nut	Brass - CW617N
Venturi	Brass - CW614N
Venturi O-ring	Viton®

## Dimensions

Size	A*	B	C	D
1/2"	5.17	1.57	2.95	0.59
3/4"	5.35	1.57	2.95	0.59
1"	—**	1.93	3.74	0.79
1-1/4"	—**	2.44	4.72	0.98
1-1/2"	—**	2.64	4.72	1.26
2"	—**	3.29	5.91	1.58

\*Length is for a Press x MNPT valve, additional dimensions available upon request  
\*\*1" - 2" is FNPT body with MNPT x Press adapter

# Pressure Drop Chart

## Terminator B (1/2" - 1")

### CV of Valves

- 1/2" & 3/4" w/ #3 Venturi: **0.44**
- 1/2" & 3/4" w/ #4 Venturi: **1.30**
- 1/2" & 3/4" w/ #6 Venturi: **2.65**
- 1/2" & 3/4" w/ #7.5 Venturi: **3.61**
- 1/2" & 3/4" w/ #9 Venturi: **7.05**
- 1/2" & 3/4" w/ #12 Venturi: **11.40**

