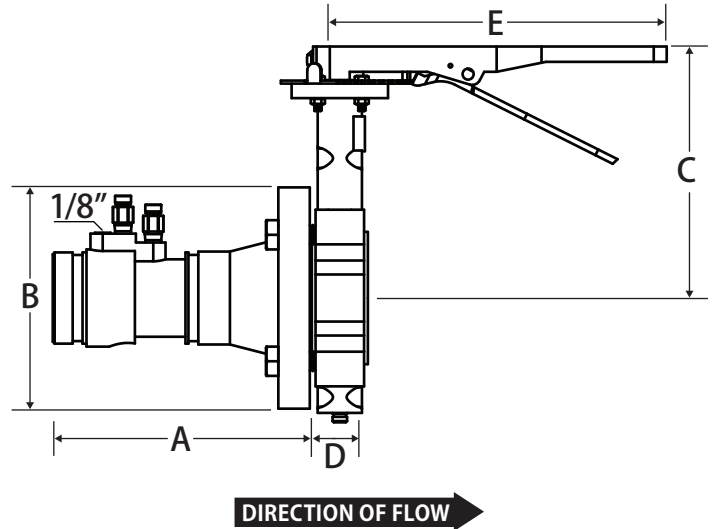


# Manual Balancing Valve

Fixed Orifice • Isolation Butterfly Valve • Lug x Groove Connection  
• Class 150



**Terminator B Lug x Groove**



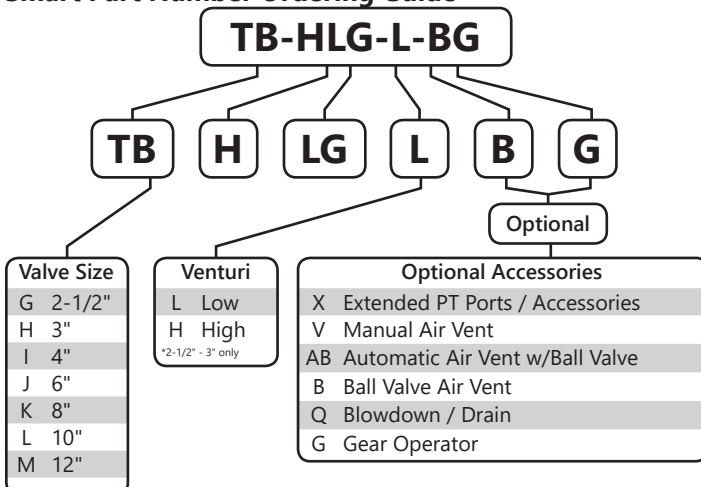
## Features

- +/- 1% Accuracy
- Two pressure / temperature (PT) test ports
- Location tag
- Additional accessory tap
- Ten-position lockable lever handle
- Class 150 Flange
- 100% leak tested
- 5 straight pipe diameters are required upstream of balance valve
- 2-1/2 straight pipe diameters are required downstream of balance valve
- See end of catalog for pressure drop charts

## Pressure and Temperature Rating

- 200 WOG
- 225°F Max

## Smart Part Number Ordering Guide



## Material Specifications

Part	Material
Venturi Body	Carbon Steel - ASTM 126
Flange	Carbon Steel - ASTM 126
Butterfly Valve	(See Butterfly Valve Spec Sheet)

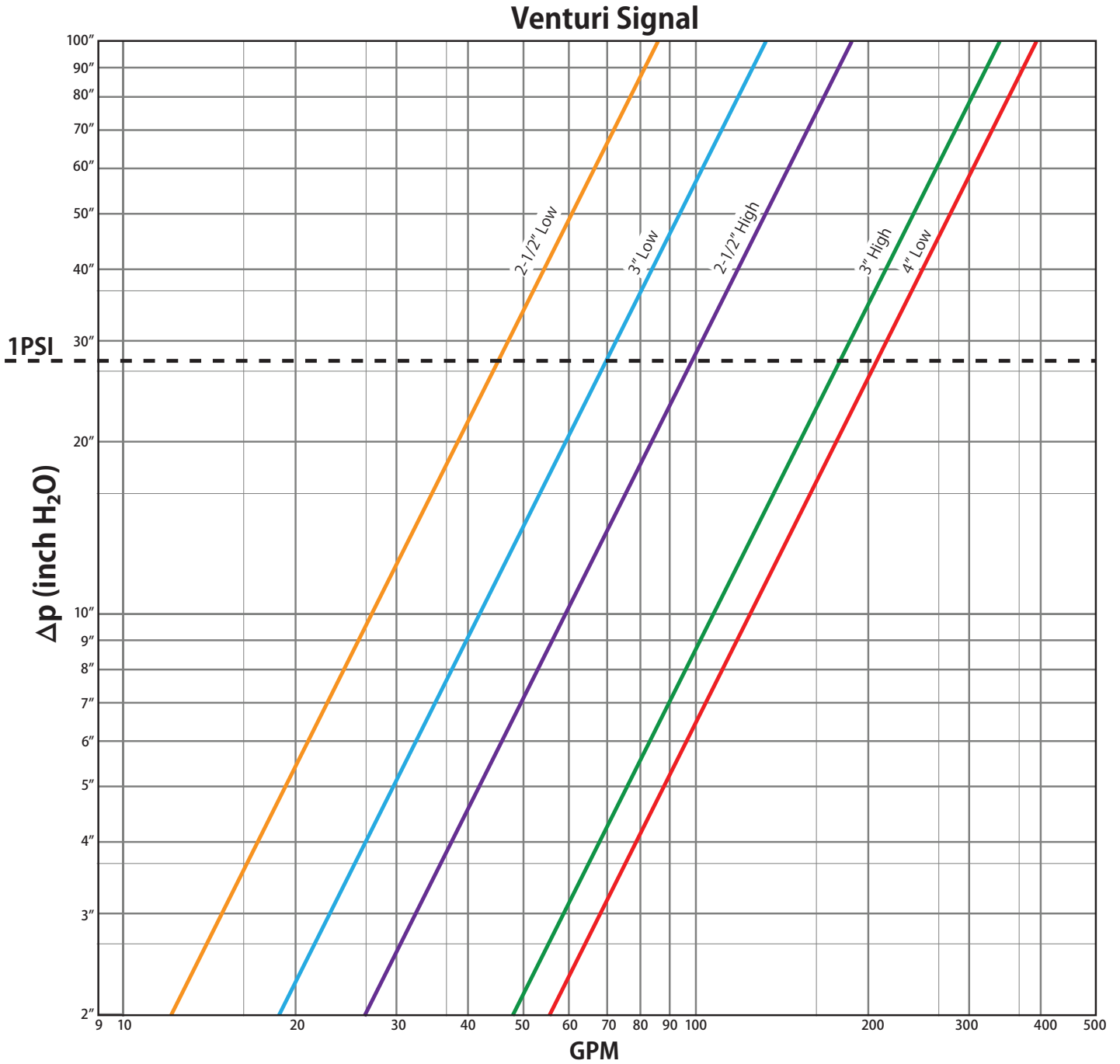
## Dimensions

Size	A	B	C	D	E
2-1/2"	8.00	7.00	7.6	1.76	10.64
3"	8.28	7.50	8.15	1.78	10.64
4"	9.22	9.00	8.39	2.05	10.64
6"	11.25	11.00	9.13	2.2	10.64
8"	12.6	13.50	10.16	2.39	14.18
10"	16.3	16.00	11.85	2.58	19.70
12"	17.00	19.00	13.11	3.03	19.70

# Pressure Drop Chart

## Terminator B (2-1/2" - 4")

Permanent pressure loss is 6% of the differential pressure



# Pressure Drop Chart

## Terminator B (6" - 12")

Permanent pressure loss is 6% of the differential pressure

