

# Brass Mini Ball Valve

2 Piece • Full Port • Threaded Connection • Mini Valves • 600 WOG

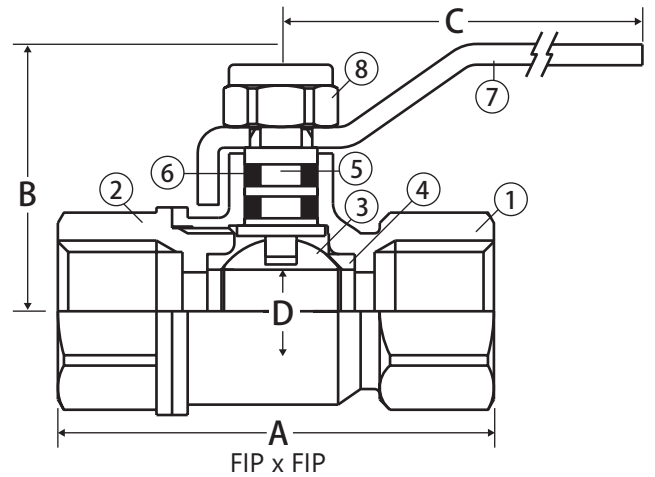
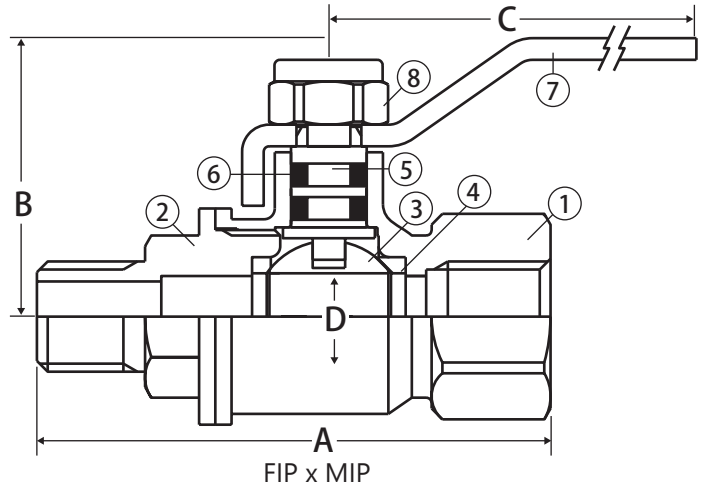
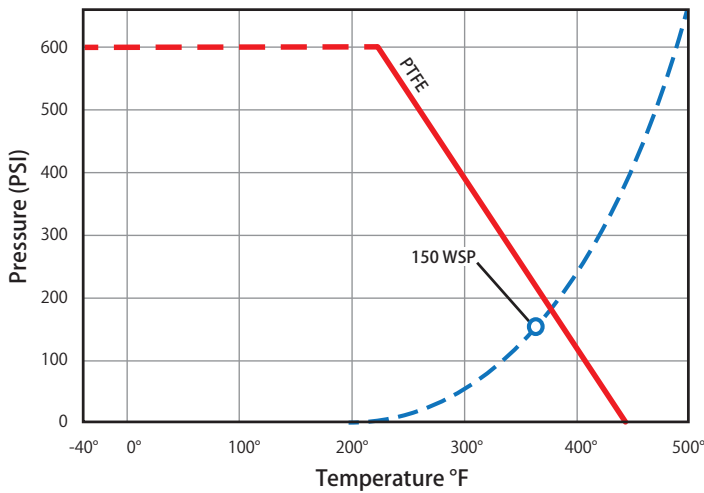


T-83C

## Features

- Large raised wrench flats
- 2 Buna-N o-rings
- 100% leak tested

## Valve Seat Rating 600 WOG - 150 WSP



## Material Specifications

No.	Part	Materials
1	Body	Brass - C37700
2	End Connection	Brass - C37700
3	Ball	Chrome Plated Brass - C37700
4	Seat (2)	PTFE
5	Stem	Brass - C37700
6	Stem O-ring (2)	Buna-N
7	Handle*	Steel - Chrome Plated or Aluminum
8	Handle Nut / Screw*	Steel - Chrome Plated

\*Material depends on handle selection

## Dimensions

Part No.	Size	A	B	C	D
H100-398	1/4" FIP x 1/8" MIP	1.93	1.07	1.77	0.28
H100-399	1/4" FIP x 1/4" MIP	2.01	1.07	1.77	0.28
H100-400	1/4" FIP x 1/4" FIP	1.65	1.07	1.77	0.28