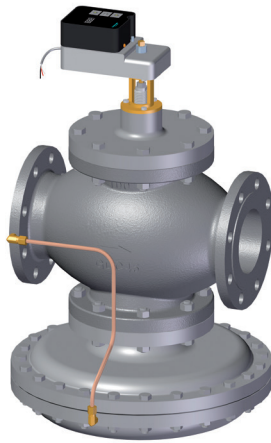


Pressure Independent Control Valve

Pressure Regulating Cartridge • Multi-Turn Control Valve • Flange Connection • 230 WOG



94F Series

Features

- 5-58 PSID operating range
- +/- 5% accuracy up to 15 PSID
- Two pressure / temperature (PT) test ports
- Location tag
- ANSI class IV leakage rate
- 100% leak tested
- Control Valve Stroke: 15-22mm
- Rangeability: >100
- Flange: ANSI B16.1, Class 125
- Face to Face: ISA-75.08.01-2002, Class 125

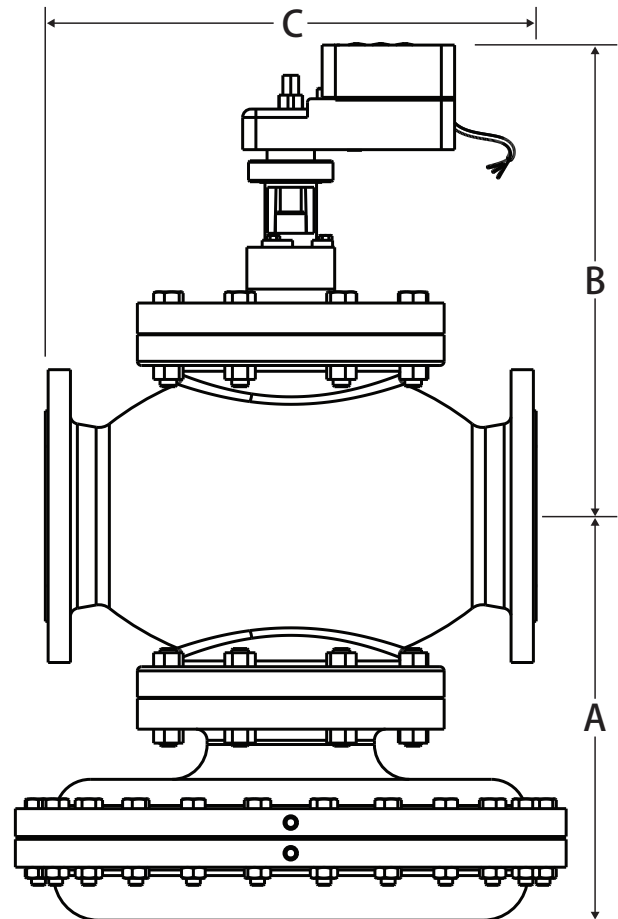
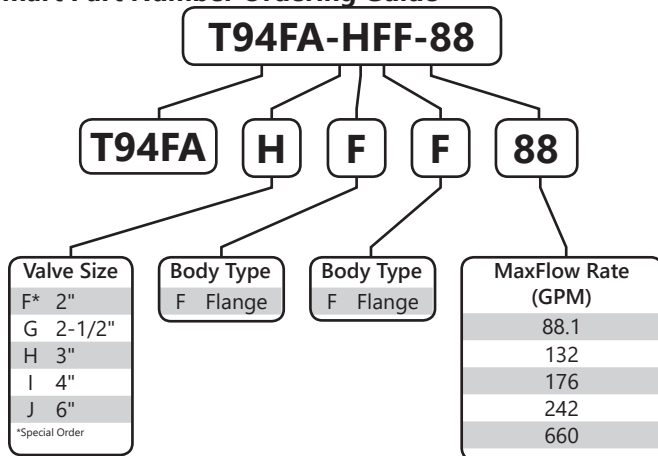
Pressure and Temperature Rating

- 230 WOG
- 15 - 250°F

Accepted Actuator Manufacturers

- HCI

Smart Part Number Ordering Guide



DIRECTION OF FLOW →

Material Specifications

Part	Material
Body	Ductile Iron
Regulating Device	Brass - CW602N, EPDM, 303 Stainless Steel
Control Valve	Brass - CW602N, 18/8 Stainless Steel
O-rings	EPDM

Dimensions

Size	A	B	C
2"	8.62	10.51	10.00
2 1/2"	9.21	11.10	10.87
3"	9.41	11.42	11.73
4"	11.22	12.17	13.86
6"	13.78	14.92	17.76



WARNING: This product can expose you to chemicals including lead, which is known to the State of California to cause cancer, and lead, which is known to the State of California to cause birth defects or other reproductive harm. For more information go to www.P65Warnings.ca.gov.