

Pressure Independent Control Valve

Pressure Regulating Cartridge • Axial Control Valve • Presetting Ring • 360 WOG



91 Series

Features

- 5-58 PSID operating range
- +/- 5% accuracy up to 15 PSID
- Two pressure / temperature (PT) test ports
- Location tag
- ANSI class IV leakage rate
- 100% leak tested
- Control Valve Stroke: 2.7mm
- Rangeability: 50-100

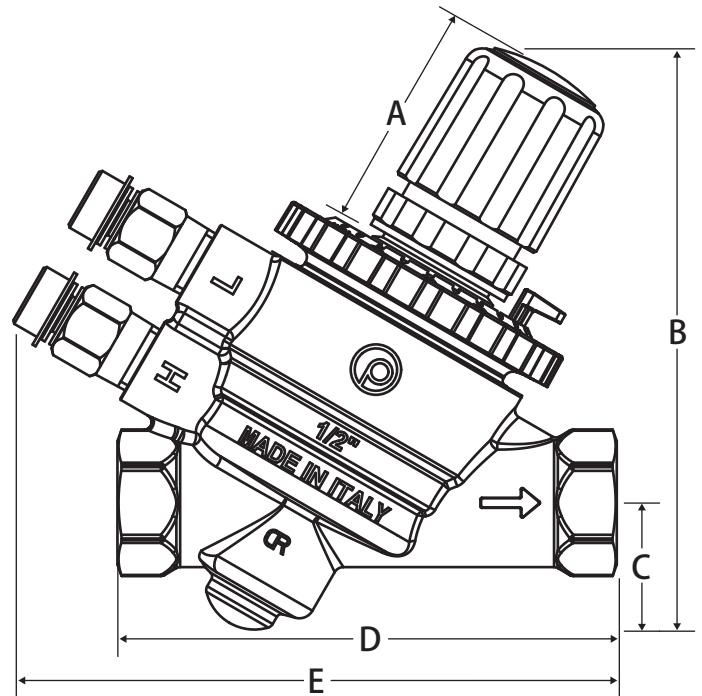
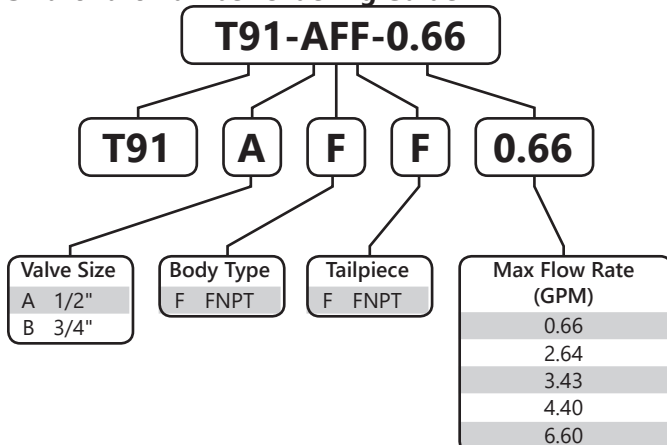
Pressure and Temperature Rating

- 360 WOG
- 15 - 250°F

Accepted Actuator Manufacturers

- Spartan PD
- Siemens
- Honeywell
- Johnson Controls
- Neptronics

Smart Part Number Ordering Guide



DIRECTION OF FLOW →

Material Specifications

Part	Material
Body	Brass - CW602N
Regulating Cartridge	High Resistance Polymer, EPDM, 303 Stainless Steel
Control Valve	Brass - CW614N, 18/8 Stainless Steel
Presetting Ring	High Resistance Polymer
O-rings	EPDM

Dimensions

Size	A	B	C	D	E
1/2"	1.85	4.53	0.98	3.90	4.72
3/4"	1.85	4.53	0.98	4.25	4.72



WARNING: This product can expose you to chemicals including lead, which is known to the State of California to cause cancer, and lead, which is known to the State of California to cause birth defects or other reproductive harm. For more information go to www.P65Warnings.ca.gov.