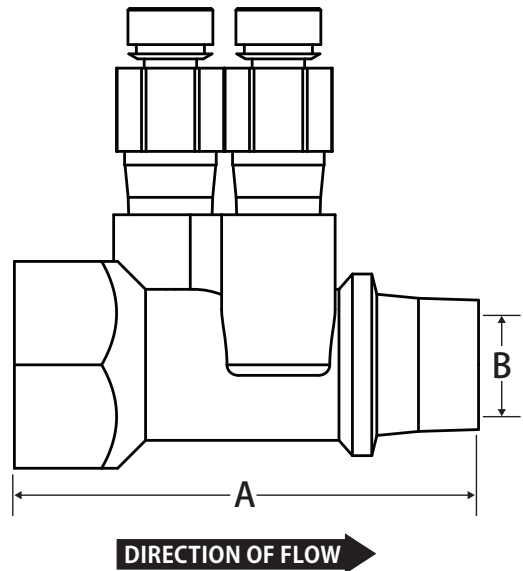


Metering Station

Fixed Orifice • 400 WOG



Terminator MS



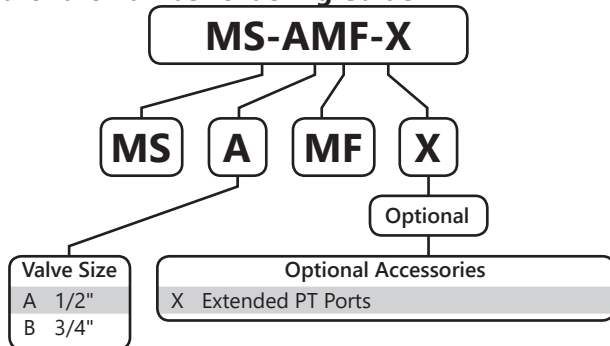
Features

- Removable venturi
- +/- 2% Accuracy
- Two pressure / temperature (PT) test ports
- Location tag
- 100% leak tested
- Made in Italy
- See end of catalog for pressure drop charts

Pressure and Temperature Rating

- 400 WOG
- 300°F Max

Smart Part Number Ordering Guide



Material Specifications

Part	Material
Body	Brass - CW602N
Venturi	Brass - CW614N
Venturi O-ring	Viton®

Dimensions

Size	A	B
1/2"	2.77	0.59
3/4"	2.77	0.59



WARNING: This product can expose you to chemicals including lead, which is known to the State of California to cause cancer, and lead, which is known to the State of California to cause birth defects or other reproductive harm. For more information go to www.P65Warnings.ca.gov.

Pressure Drop Chart

Metering Station

- CV of Valves**
- 1/2" & 3/4" w/ #3 Venturi: **0.44**
 - 1/2" & 3/4" w/ #4 Venturi: **1.30**
 - 1/2" & 3/4" w/ #6 Venturi: **2.65**
 - 1/2" & 3/4" w/ #7.5 Venturi: **3.61**
 - 1/2" & 3/4" w/ #9 Venturi: **7.05**
 - 1/2" & 3/4" w/ #12 Venturi: **11.40**

