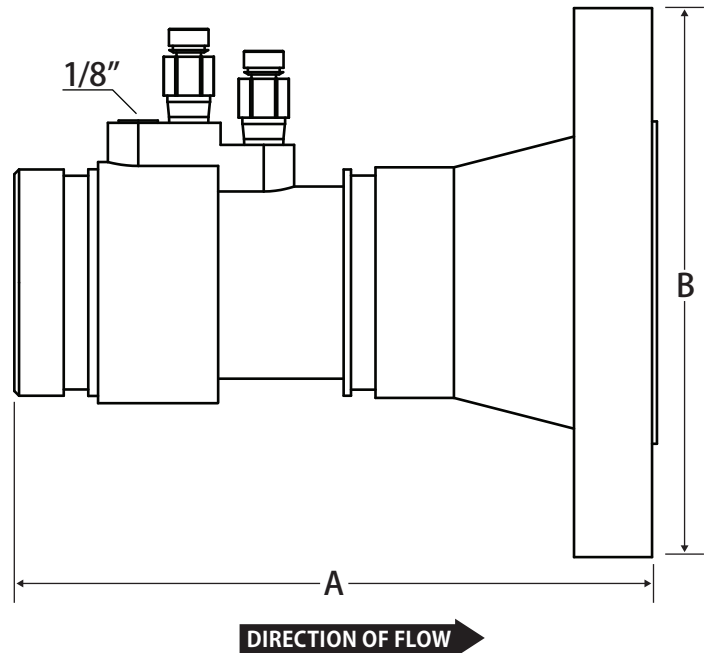


Metering Station

Fixed Orifice • Flange x Groove Connection • Class 150



Terminator MS Flange x Groove



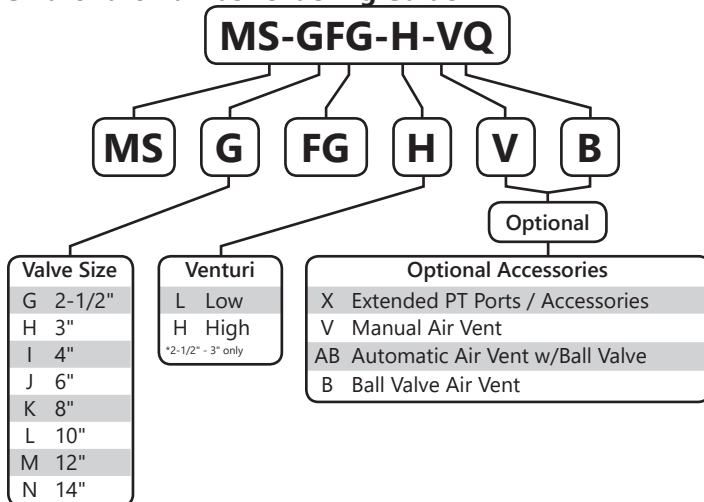
Features

- +/- 1% Accuracy
- Two pressure / temperature (PT) test ports
- Location tag
- Additional accessory tap
- Class 150 Flange
- 100% leak tested
- 5 straight pipe diameters are required upstream of metering station
- 2-1/2 straight pipe diameters are required downstream of metering station
- See end of catalog for pressure drop charts

Pressure and Temperature Rating

- 200 WOG
- 225°F Max

Smart Part Number Ordering Guide



Material Specifications

Part	Material
Venturi Body	Carbon Steel - ASTM 126
Flange	Carbon Steel - ASTM 126

Dimensions

Size	A	B
2-1/2"	10.2	7.0
3"	10.5	7.5
4"	11.5	9.0
6"	13.5	11.0
8"	15.9	13.5
10"	20.6	16.0
12"	25.8	19.0