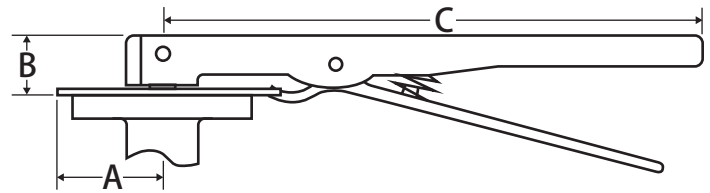


Butterfly Valve Handle

Ten-position Lockable Lever Handle



Dimensions

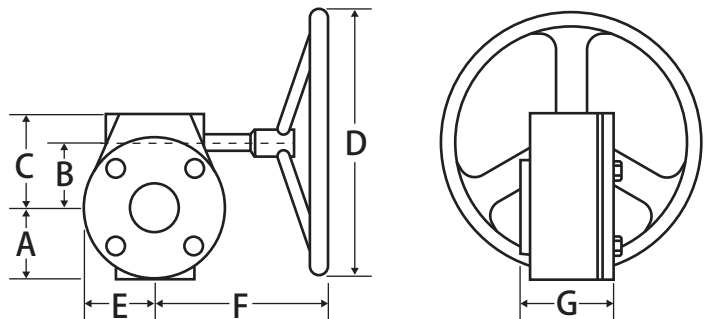
Part No.	Size	A	B	C
BLH2-3	2-1/2" - 3"	2.00	1.26	10.64
BLH4	4"	2.00	1.26	10.64
BLH5-6	5" - 6"	2.00	1.26	10.64
BLH8	8"	4.30	1.77	14.18

Terminator BFV Lever Handle

Comes standard with terminator BFV

Butterfly Valve Handle

Butterfly Gear Operator



Dimensions

Part No.	Size	A	B	C	D	E	F	G
2-14"								
BGO2-3	2-1/2" - 3"	2.05	1.77	2.92	5.91	2.05	6.00	2.96
BGO4	4"	2.05	1.77	2.92	5.91	2.05	6.00	2.96
BGO5-6	5" - 6"	2.05	1.77	2.92	5.91	2.05	6.00	2.96
BGO8	8"	2.96	2.47	3.98	11.82	2.96	9.85	3.39

Terminator BFV Gear Operator