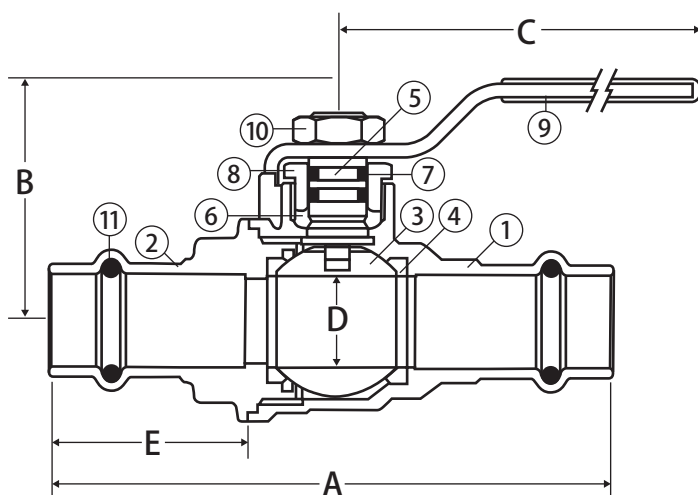


Brass Ball Valve

2 Piece • Full Port • Press Connection • 250 WOG



H100P



Features

- Blow-out proof stem
- Triple sealing stem with 2 Viton® o-rings and Teflon® seal
- Corrosion resistant brass
- 100% leak tested
- 100% Made in Italy
- Leakproof stem - Lifetime Warranty

Approvals

- Conforms to IAPMO PS 117

Pressure/Temperature Rating

- 250 WOG
- Max. 250°F

Material Specifications

No.	Part	Material
1	Body	Brass - CW602N
2	End Connection	Brass - CW602N
3	Ball	T.E.A. Coated Brass - CW617N
4	Seat (2)	Hostaflon® TFM 1600
5	Stem	Brass - CW602N
6	Packing	Hostaflon® TFM 1600
7	Stem O-ring (2)	Viton®
8	Packing Gland	Brass - CW602N
9	Handle	Steel - Geomet® Plated
10	Handle Nut	Steel - Geomet® Plated
11	O-ring (2)	EPDM

Dimensions

Part No.	Size	A	B	C	D	E	Cv
H100-203	1/2"	3.54	1.53	2.95	0.59	1.24	16.82
H100-204	3/4"	3.84	1.95	3.74	0.79	1.28	34.80
H100-205	1"	4.31	2.40	4.75	0.97	1.38	52.20
H100-206	1-1/4"	4.80	2.59	4.75	1.23	1.30	112.52
H100-207	1-1/2"	5.61	3.22	6.00	1.49	1.50	174.00
H100-208	2"	7.16	3.40	6.00	1.99	2.01	255.20



WARNING: This product can expose you to chemicals including lead, which is known to the State of California to cause cancer, and lead, which is known to the State of California to cause birth defects or other reproductive harm. For more information go to www.P65Warnings.ca.gov.