

Brass Ball Valve

2 Piece • Full Port • Male x Female Threaded Connection • 600 WOG



CRN# 0C16887.5469870YTN

H100MF

Features

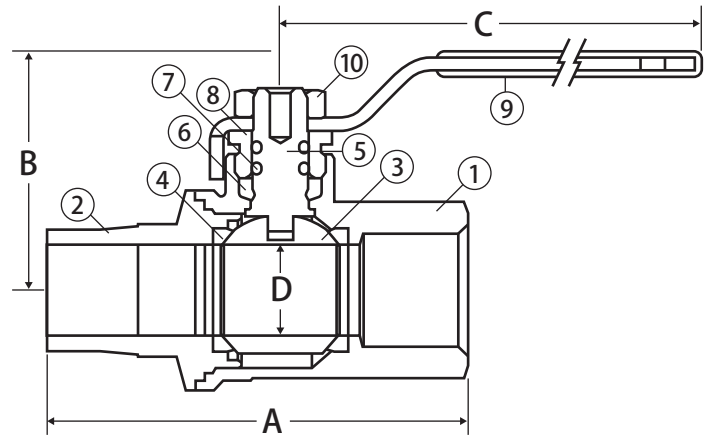
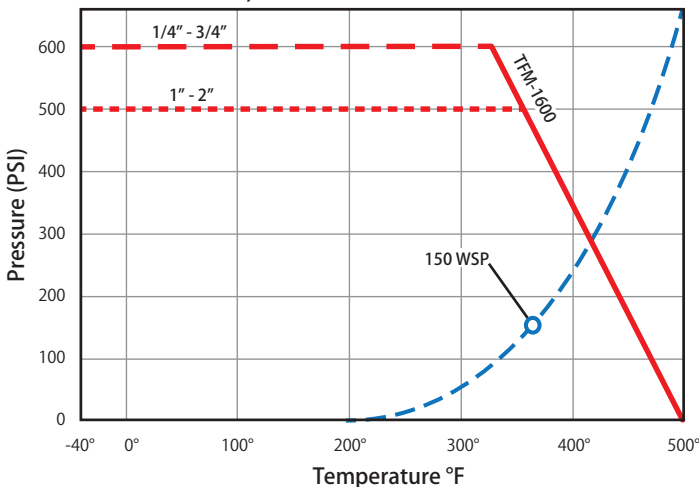
- Blow-out proof stem
- Triple sealing stem with 2 Viton® o-rings and Teflon® seal
- 100% leak tested
- 100% Made in Italy
- Leakproof stem - Lifetime Warranty
- 29 in-Hg vacuum rating

Approvals

- CSA Certified (1/4" - 1")
 - ASME B16.33 (125 PSIG)
 - CGA 3.16 (125 PSIG)
- MSS SP-110
- ANSI B1.20.1

Valve Seat Rating

1/4" - 3/4" 600 WOG, 1" - 2" 500 WOG - 150 WSP



Material Specifications

No.	Part	Material
1	Body	Brass - CW617N
2	End Connection	Brass - CW617N
3	Ball	Chrome Plated Brass - CW617N
4	Seat (2)	Hostaflon® TFM 1600
5	Stem	Brass - CW614N
6	Packing	Hostaflon® TFM 1600
7	Stem O-ring (2)	Viton®
8	Packing Gland	Brass - CW614N
9	Handle	Steel - Geomet® Plated
10	Handle Nut	Steel - Geomet® Plated

Dimensions

Part No.	Size	A	B	C	D	Cv
H100-601	1/4"	2.29	1.41	2.95	0.39	7.66
H100-602	3/8"	2.26	1.41	2.95	0.39	7.77
H100-603	1/2"	2.75	1.53	2.95	0.59	16.82
H100-604	3/4"	3.10	1.95	3.74	0.79	34.80
H100-605	1"	3.68	2.40	4.75	0.97	52.20



WARNING: This product can expose you to chemicals including lead, which is known to the State of California to cause cancer, and lead, which is known to the State of California to cause birth defects or other reproductive harm. For more information go to www.P65Warnings.ca.gov.