

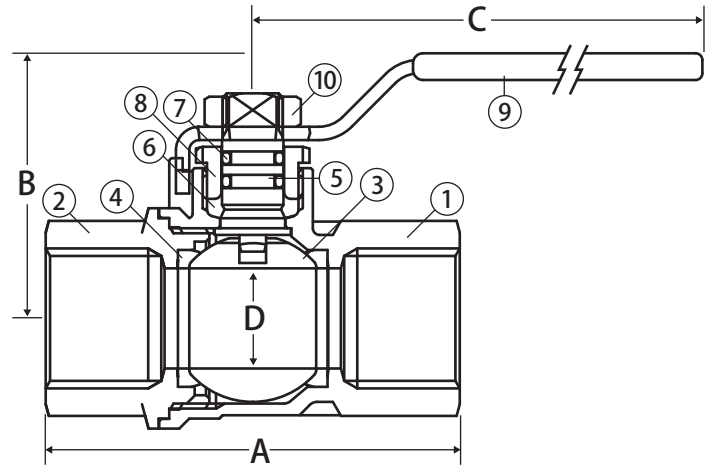
Brass Ball Valve

2 Piece • Full Port • Threaded Connection • 600 WOG • with
Stainless Steel Ball and Stem



CRN# OC16887.5469870YTN

H100TSS



Features

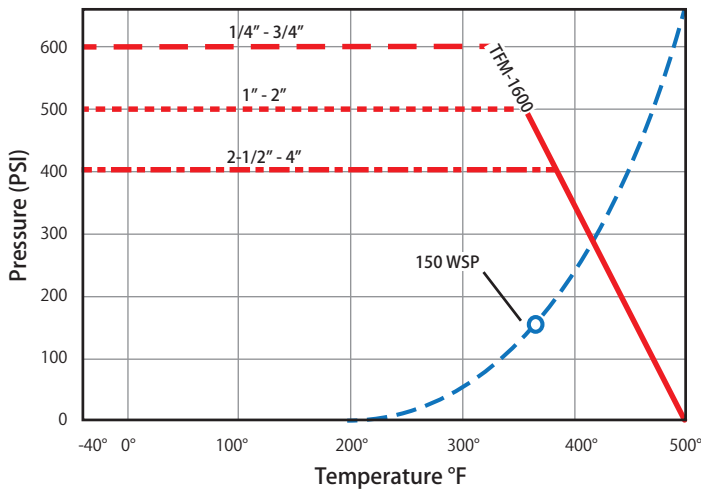
- Blow-out proof stem
- T.E.A. Ternary Eco Alloy® coated body, which prevents dezincification and galvanic corrosion
- Triple sealing stem with 2 Viton® o-rings and Teflon® seal
- 100% leak tested
- 100% Made in Italy
- Leakproof stem - Lifetime Warranty
- 29 in-Hg vacuum rating

Approvals **CSA** **FM**

- CSA Certified
 - ASME B16.33 (125 PSIG) (1/2" - 2")
 - CGA 3.16 (125 PSIG) (1/4" - 2")
- FM Approval (1/4" - 2")
- ANSI B1.20.1
- MSS SP-110

Valve Seat Rating

1/4" - 3/4" 600 WOG, 1-2" 500 WOG, 2-1/2" - 4" 400 WOG - 150 WSP



Material Specifications

No.	Part	Material
1	Body	T.E.A. Coated Brass - CW617N
2	End Connection	T.E.A. Coated Brass - CW617N
3	Ball	316 Stainless Steel
4	Seat (2)	Hostaflon® TFM 1600
5	Stem	316 Stainless Steel
6	Packing	Hostaflon® TFM 1600
7	Stem O-ring (2)	Viton®
8	Packing Gland	Nickel Plated Brass - CW614N
9	Handle	Steel - Geomet® Plated
10	Handle Nut	Steel - Geomet® Plated

Dimensions

Part No.	Size	A	B	C	D	Cv
H100-501	1/4"	1.86	1.41	2.95	0.39	7.66
H100-502	3/8"	1.86	1.41	2.95	0.39	7.77
H100-503	1/2"	2.45	1.53	2.95	0.59	16.82
H100-504	3/4"	2.71	1.95	3.74	0.79	34.80
H100-505	1"	3.30	2.40	4.75	0.97	52.20
H100-506	1-1/4"	3.80	2.59	4.75	1.23	112.52
H100-507	1-1/2"	4.16	3.22	6.00	1.49	174.00
H100-508	2"	5.00	3.40	6.00	1.99	255.20
H100-509	2 1/2"	6.06	4.60	8.00	2.46	350.32
H100-510	3"	7.08	4.90	8.00	2.99	563.76