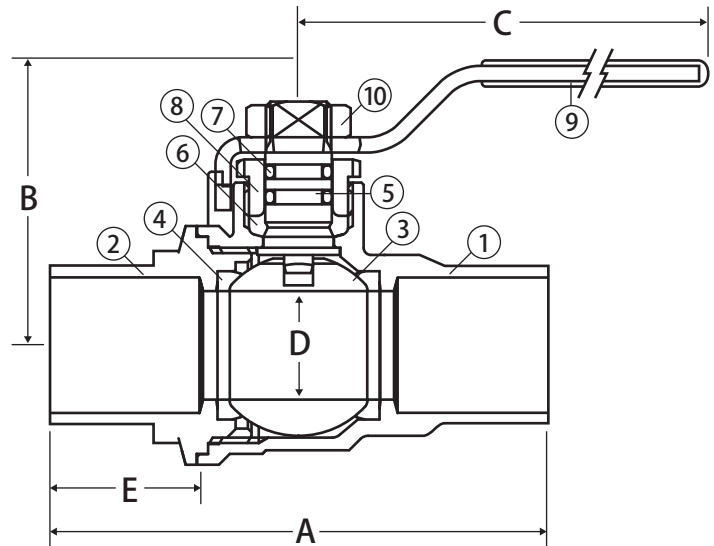


Brass Ball Valve

**2 Piece • Full Port • Solder Connection • 600 WOG •
with Stainless Steel Ball and Stem**



H100SS



Features

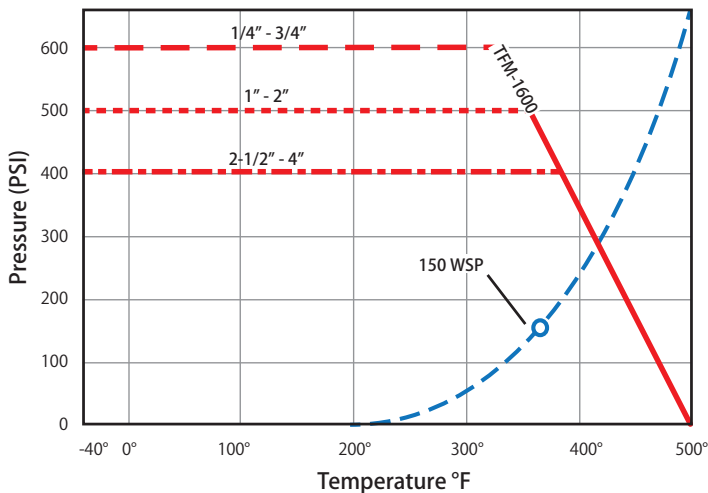
- Blow-out proof stem
- T.E.A. Ternary Eco Alloy® coated body, which prevents dezincification and galvanic corrosion
- Triple sealing stem with 2 Viton® o-rings and Teflon® seal
- 100% leak tested
- 100% Made in Italy
- Leakproof stem - Lifetime Warranty
- 29 in-Hg vacuum rating

Approvals

- MSS SP-110
- ASME/ANSI B16.18

Valve Seat Rating

1/4" - 3/4" 600 WOG, 1-2" 500 WOG, 2-1/2" - 4" 400 WOG - 150 WSP



Material Specifications

No.	Part	Material
1	Body	T.E.A. Coated Brass - CW617N
2	End Connection	T.E.A. Coated Brass - CW617N
3	Ball	316 Stainless Steel
4	Seat (2)	Hostaflon® TFM 1600
5	Stem	316 Stainless Steel
6	Packing	Hostaflon® TFM 1600
7	Stem O-ring (2)	Viton®
8	Packing Gland	Nickel Plated Brass - CW614N
9	Handle	Steel - Geomet® Plated
10	Handle Nut	Steel - Geomet® Plated

Dimensions

Part No.	Size	A	B	C	D	E	Cv
H100-513	1/2"	2.48	1.56	2.95	0.59	0.51	16.82
H100-514	3/4"	3.26	2.05	3.74	0.79	0.76	34.80
H100-515	1"	3.94	2.55	4.75	0.97	0.92	52.20
H100-516	1-1/4"	4.50	2.66	4.75	1.23	0.98	112.52
H100-517	1-1/2"	5.07	3.31	6.00	1.49	1.10	174.00
H100-518	2"	6.22	3.60	6.00	1.99	1.34	255.20
H100-519	2 1/2"	7.28	4.74	8.00	2.46	1.45	350.32
H100-520	3"	8.48	5.05	8.00	2.99	1.63	563.76