

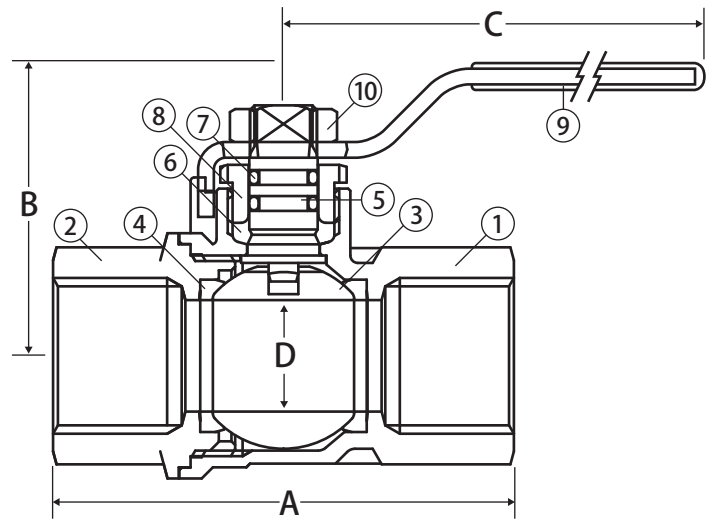
Brass Ball Valve

2 Piece • Full Port • Threaded Connections • 600 WOG



H100T

CRN# 0C16887.5469870YTN



Features

- Blow-out proof stem
- Triple sealing stem with 2 Viton® o-rings and Teflon® seal
- 100% leak tested
- 100% Made in Italy
- Leakproof stem - Lifetime Warranty
- 29 in-HG vacuum rating

Approvals

- UL Listed (1/4" - 2")
 - VQGU - Trim & drain
 - MHKZ - Manual valves
 - YQNZ - Compressed gas shut-off valves
 - YRBX - Flammable liquid shut-off valves
 - YRPV - Gas shut-off valves
 - YSDT - LP gas shut-off valves
 - SFJQ - Valves, refrigerant
- CSA Certified
 - ANSI Z21.15 (.5 PSIG) (1/4" - 3")
 - ASME B16.33 (125 PSIG) (1/2" - 2")
 - ASME B16.38 (125PSIG) (2-1/2" - 4")
 - CGA 3.16 (125 PSI) (1/4" - 4")
 - CGA 9.2 (1/4" - 3")
 - Delta C (3/8" - 3/4")
- FM Approval (1/4" - 2")
- MSS SP-110
- ANSI B1.20.1

Material Specifications

No.	Part	Material
1	Body	Brass - CW617N
2	End Connection	Brass - CW617N
3	Ball	T.E.A. Coated Brass - CW617N
4	Seat (2)	Hostaflon® TFM 1600
5	Stem	Brass - CW614N
6	Packing	Hostaflon® TFM 1600
7	Stem O-ring (2)	Viton®
8	Packing Gland	Brass - CW614N
9	Handle	Steel - Geomet® Plated
10	Handle Nut	Steel - Geomet® Plated

Dimensions

Part No.	Size	A	B	C	D	Cv
H100-701	1/4"	1.86	1.41	2.95	0.39	7.66
H100-702	3/8"	1.86	1.41	2.95	0.39	7.77
H100-703	1/2"	2.45	1.53	2.95	0.59	16.82
H100-704	3/4"	2.71	1.95	3.74	0.79	34.80
H100-705	1"	3.30	2.40	4.75	0.97	52.20
H100-706	1-1/4"	3.80	2.59	4.75	1.23	112.52
H100-707	1-1/2"	4.16	3.22	6.00	1.49	174.00
H100-708	2"	5.00	3.40	6.00	1.99	255.20
H100-709	2 1/2"	6.06	4.60	8.00	2.46	350.32
H100-710	3"	7.08	4.90	8.00	2.99	563.76
H100-711	4"	8.57	5.90	9.88	4.00	879.28

Valve Seat Rating

1/4" - 3/4" 600 WOG, 1-2" 500 WOG, 2-1/2" - 4" 400 WOG - 150 WSP

