

Cast Iron Gate Valve

Bolted Bonnet • Solid Wedge • OS & Y • Class 125



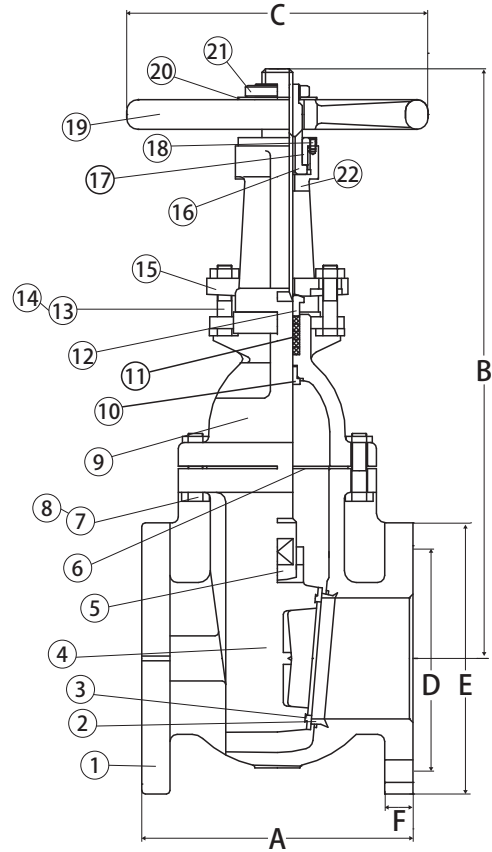
F-361

Approvals

- Lead Free Compliant
- Conforms to MSS SP-70
- Face to Face: ANSI B16.10
- Flange: ASME B16.1

Pressure Rating

- Class 125
- Suitable for 125 PSI WSP



Part No.	Size	Weight	Dimensions					
			A	B	C	D	E	F
103-625	2-1/2"	48	7.50	16.93	7.01	5.49	7.01	0.81
103-603	3"	59	8.00	19.09	7.87	6.00	7.52	0.88
103-604	4"	105	9.00	24.21	10.00	7.48	9.01	0.92
103-606	6"	194	10.50	32.88	11.82	9.51	10.98	1.00
103-608	8"	272	11.50	39.76	13.70	11.76	13.50	1.13
103-610	10"	438	13.00	48.03	15.75	14.25	15.98	1.19
103-612	12"	608	14.02	56.50	17.00	17.01	19.01	1.25

*Height when valve is open

Material Specifications

No.	Part	Materials
1	Body	Cast Iron - ASTM A126 B
2	Seat Rings	Lead Free Bronze - C89835
3	Wedge Face Rings	Brass
4	Wedge	Cast Iron - ASTM A126 B
5	Stem	Stainless Steel - SS410
6	Body Gaskets	Graphite
7	Bolts	Steel - ASTM A307 B
8	Nuts	Steel - ASTM A307 B
9	Bonnet	Cast Iron - ASTM A126 B
10	Back Seat Bushing	Cast Bronze - ASTM B62
11	Packing	Graphite
12	Packing Gland	Brass
13	Gland Follower Bolts	Steel - ASTM A307 B
14	Gland Follower Nuts	Steel - ASTM A307 B
15	Gland Follower	Ductile Iron
16	Yoke Bushing	Cast Bronze - ASTM B62
17	Yoke Bushing Nut	Cast Iron - ASTM A126 B
18	Screw	Steel - ASTM A307 B
19	Hand Wheel	Cast Iron - ASTM A126 B
20	Identification Plate	Aluminum
21	Hand Wheel Nut	Ductile Iron
22	Yoke	Cast Iron - ASTM A126 B