

Cast Iron Gate Valve

Bolted Bonnet • Non-Rising Stem • Solid Wedge • Class 125



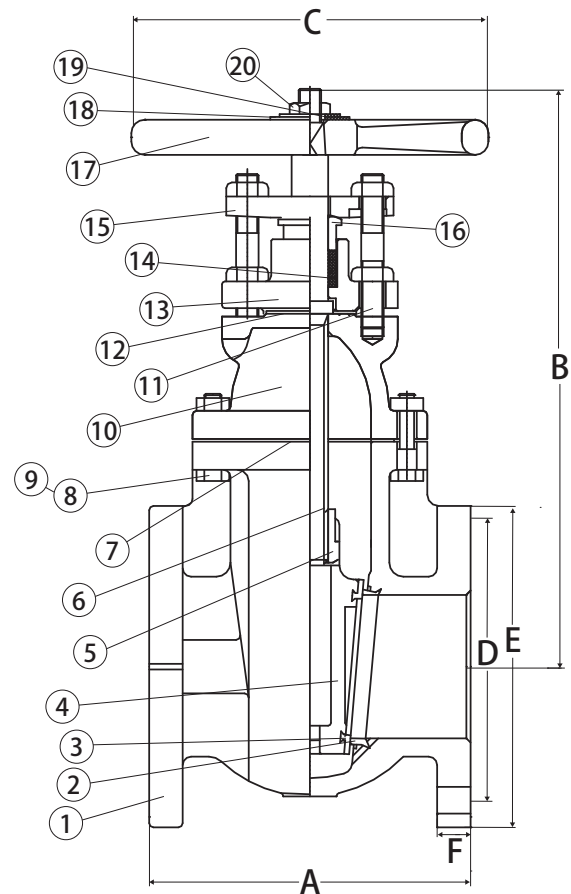
F-351

Approvals

- Lead Free Compliant
- Conforms to MSS SP-70
- Flange: ANSI B16.1
- Face to Face: ANSI B16.1

Pressure Rating

- Class 125
- Suitable for 125 PSI WSPT



Material Specifications

No.	Part	Materials
1	Body	Cast Iron - ASTM A126 B
2	Seat Rings	Lead Free Bronze - C89835
3	Wedge Face Rings	Bronze
4	Wedge	Cast Iron - ASTM A126 B
5	Wedge Nut	Cast Brass - ASTM B62
6	Stem	Stainless Steel - SS410
7	Body Gasket	Graphite
8	Bolts	Steel - ASTM A307 B
9	Nuts	Steel - ASTM A307 B
10	Bonnet	Cast Iron - ASTM A307 B
11	Gland Follower Bolts	Steel - ASTM A307 B
12	Suffing Box Gasket	Graphite
13	Suffing Box	Cast Iron - ASTM A126 B
14	Packing	Graphite
15	Gland Follower	Cast Iron - ASTM B584
16	Packing Gland	Cast Brass
17	Hand Wheel	Cast Iron - ASTM A126 B
18	Identification Plate	Aluminum
19	Washer	Steel - ASTM A307 B
20	Hand Wheel Nut	Steel - ASTM A307 B

Part No.	Size	Dimensions					
		A	B	C	D	E	F
103-525	2-1/2"	7.50	12.72	7.01	5.51	7.01	0.69
103-503	3"	8.00	13.31	7.87	6.00	7.48	0.76
103-504	4"	9.00	16.18	10.00	7.48	8.98	0.92
103-506	6"	10.50	21.97	11.81	9.48	10.98	1.00
103-508	8"	11.50	25.59	13.70	11.75	13.50	1.12