

Butterfly Valve

Lug Style • EPDM Seats • Epoxy-Coated Ductile Iron Body



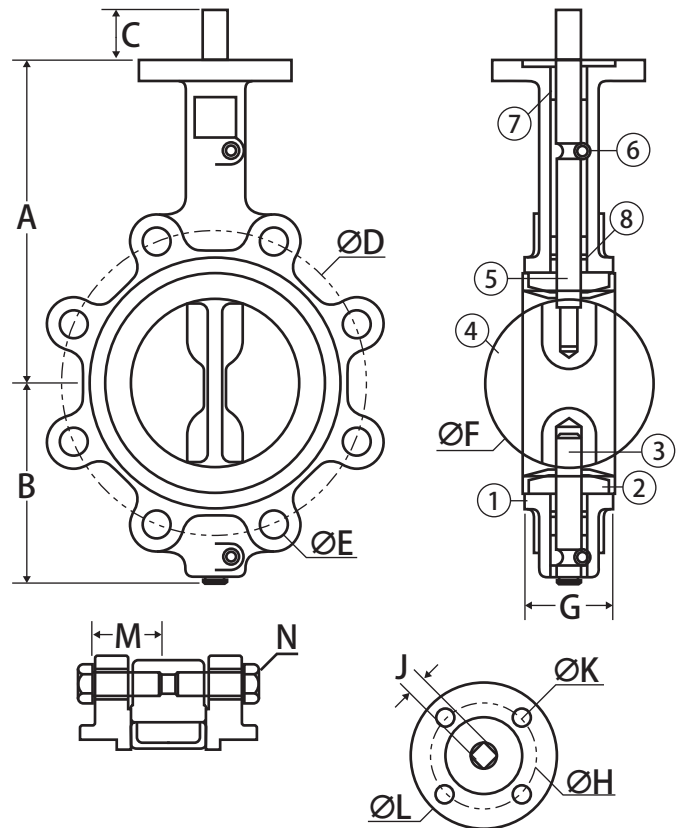
Terminator BFV

Features

- Designed for commercial and industrial applications up to 200 PSI
- Easily accepts actuator with ISO 5211 mounting flange
- Seat to flange seal eliminates the need for flange gaskets
- Series 600 Lug bodies are bidirectional for dead end service
- Epoxy coated finish
- Ideal for mounting pneumatic/electrical actuators
- Square stem for direct mount
- Wetted surfaces contain less than .25% lead content

Approvals

- API 609
- MSS SP-67



Seat Temperature Ranges

EPDM	
Temperature range (°F)	-30 to 250
Inline service (psi)	200
Dead end service w/down stream flange (psi)	200
Dead end service w/o down stream flange (psi)	100

Material Specifications

No.	Part	Materials
1	Body	Ductile Iron - Epoxy Coated
2	Seat	EPDM
3	Lower Shaft	410 Stainless Steel
4	Disc	CF8M Stainless Steel
5	Upper Shaft	410 Stainless Steel
6	Locating Pin (2)	Carbon Steel
7	Bushing (3)	PTFE
8	O-ring (2)	EPDM

Dimensions

Part No.	Size	A	B	C	D	E	F	G	H	J	K	L	M	N	Weight
BF-GLL	2-1/2"	6.89	3.5	1.26	5.5	4 : 5/8"	2.54	1.76	1.97	0.35	04:00.3	3.03	1.5	5/8-11UNC	9.26
BF-HLL	3"	7.13	3.74	1.26	6	4 : 5/8"	3.1	1.78	1.97	0.35	04:00.3	3.03	1.5	5/8-11UNC	10.36
BF-ILL	4"	7.87	4.49	1.26	7.5	8 : 5/8"	4.09	2.05	2.76	0.43	04:00.3	3.54	1.75	5/8-11UNC	19.84
BF-JLL	6"	8.9	5.47	1.26	9.51	8 : 3/4"	6.13	2.2	2.76	0.55	04:00.3	3.54	2	3/4-10UNC	31.31
BF-KLL	8"	10.24	6.89	1.61	11.75	8 : 3/4"	7.97	2.39	4.02	0.67	04:00.5	4.92	2	3/4-10UNC	40.12